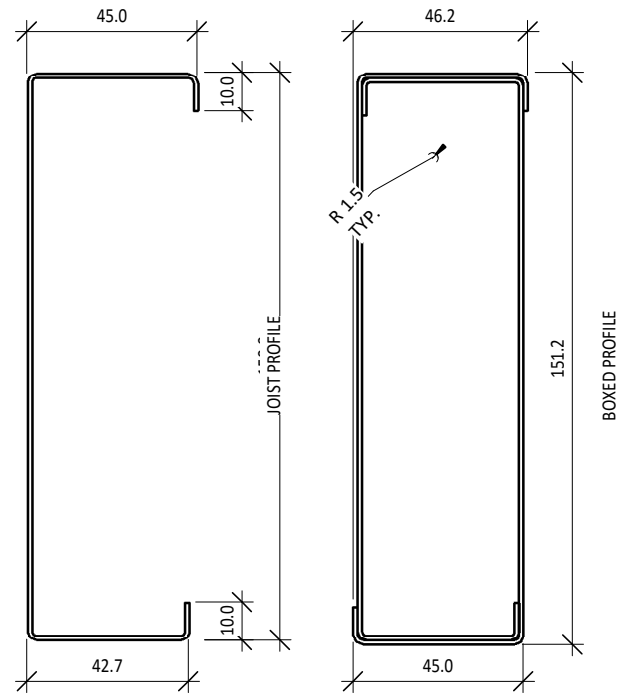
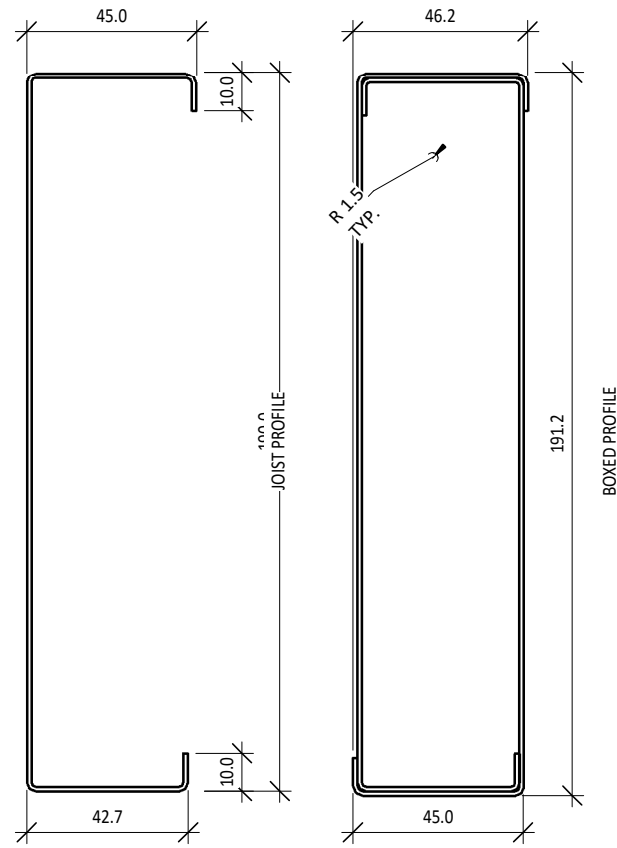


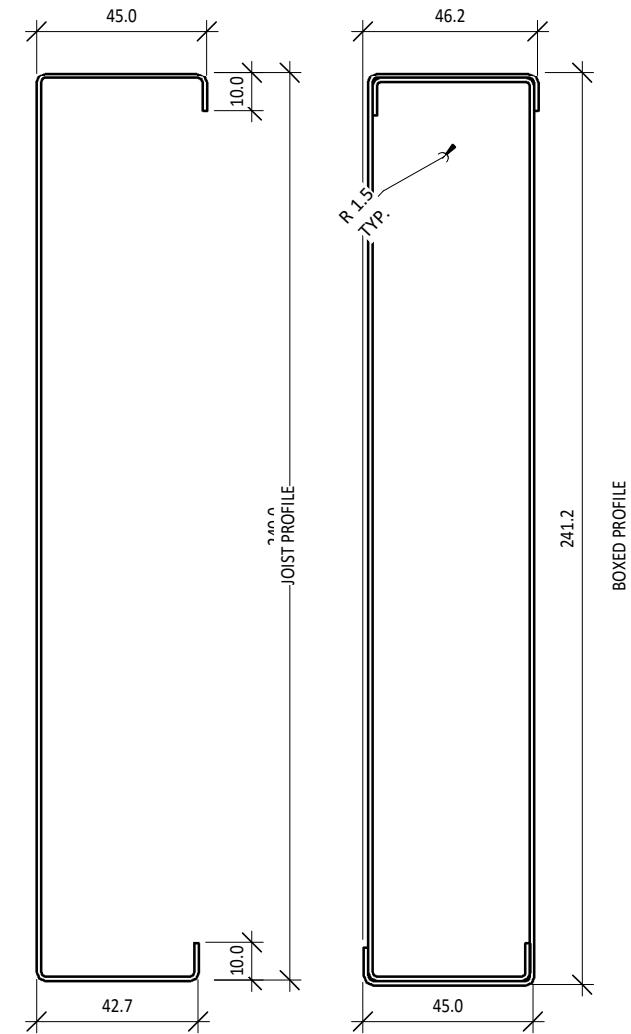
150LC1.15 BOXED

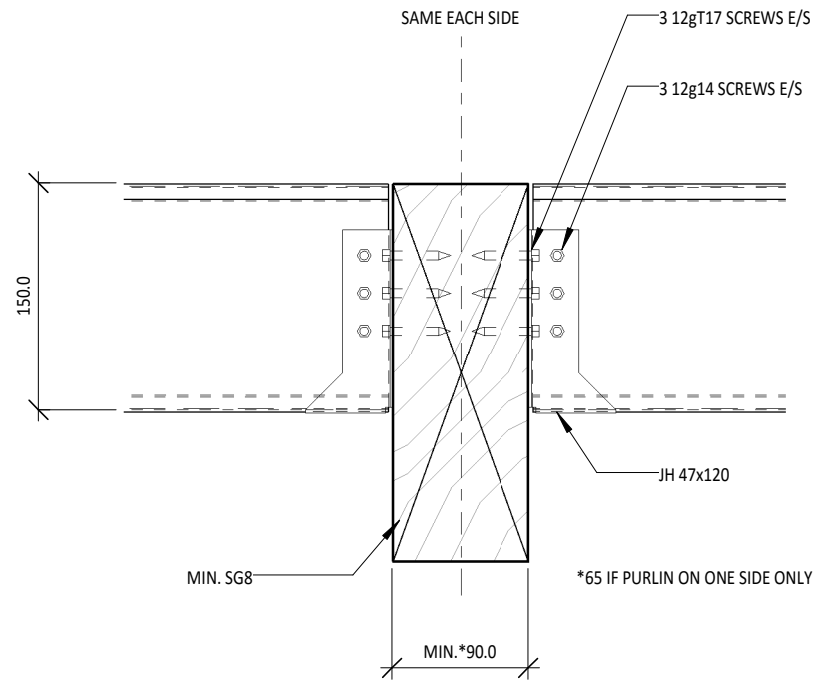


190LC1.15 BOXED



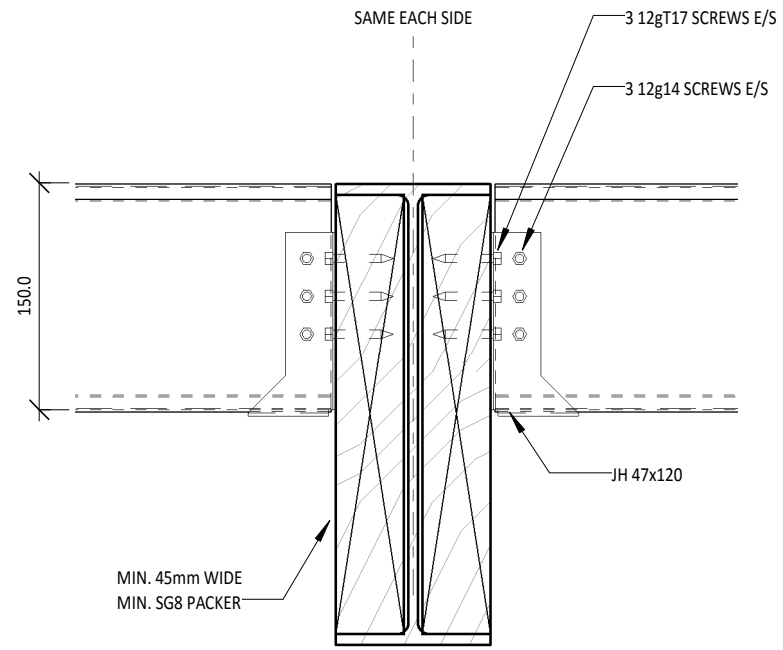
240LC1.15 BOXED





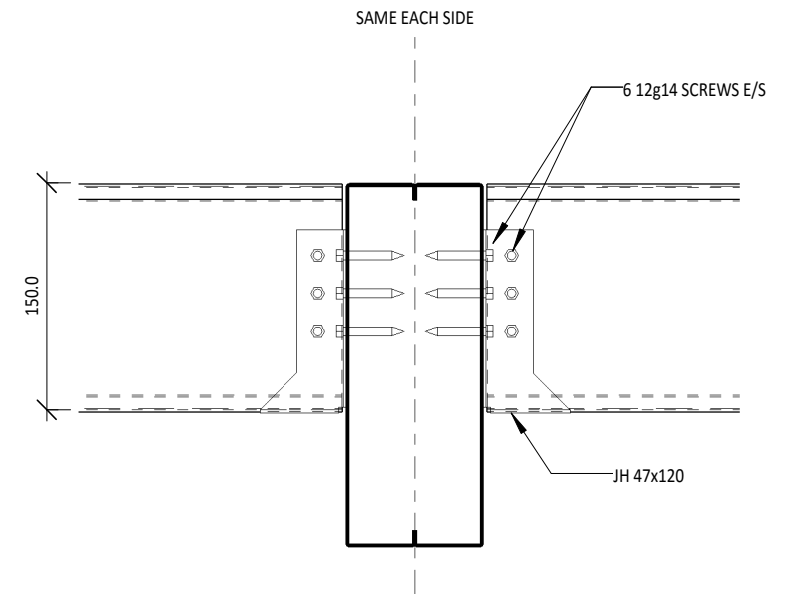
150LC TO TIMBER BEAM CONNECTION

1:5



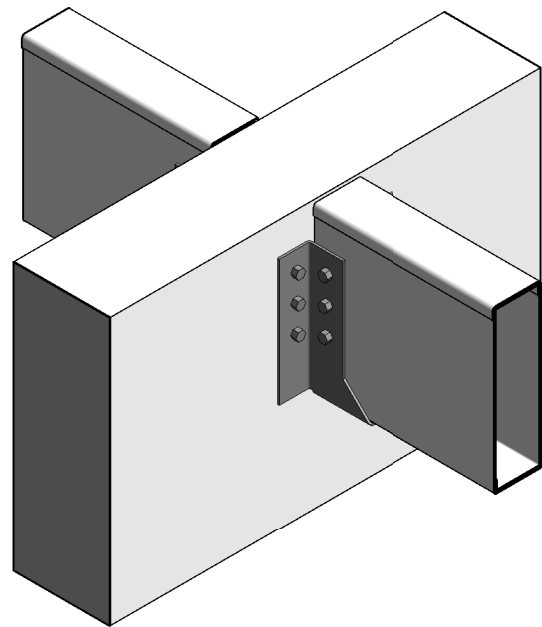
150LC TO STEEL BEAM CONNECTION

1:5

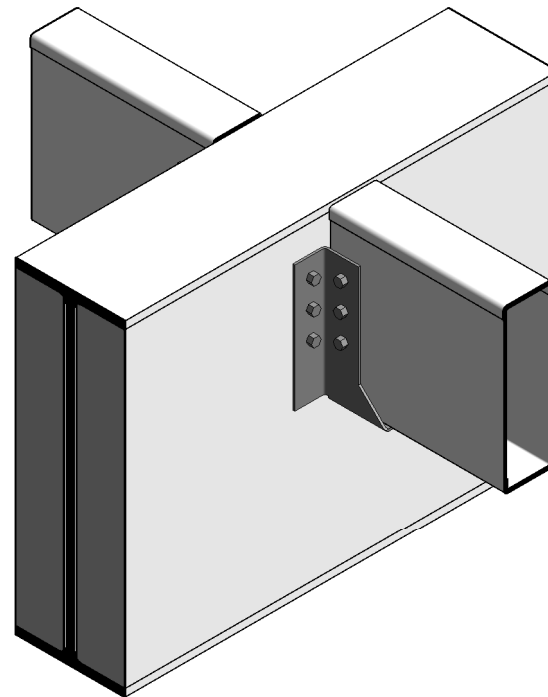


150LC TO COLD FORMED BEAM CONNECTION

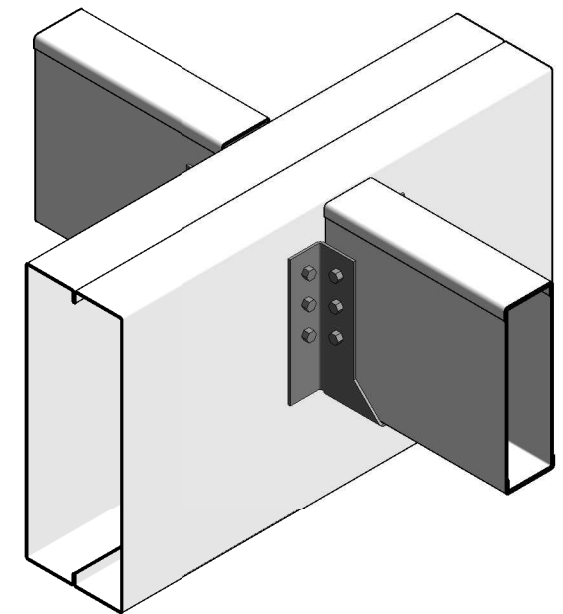
1:5



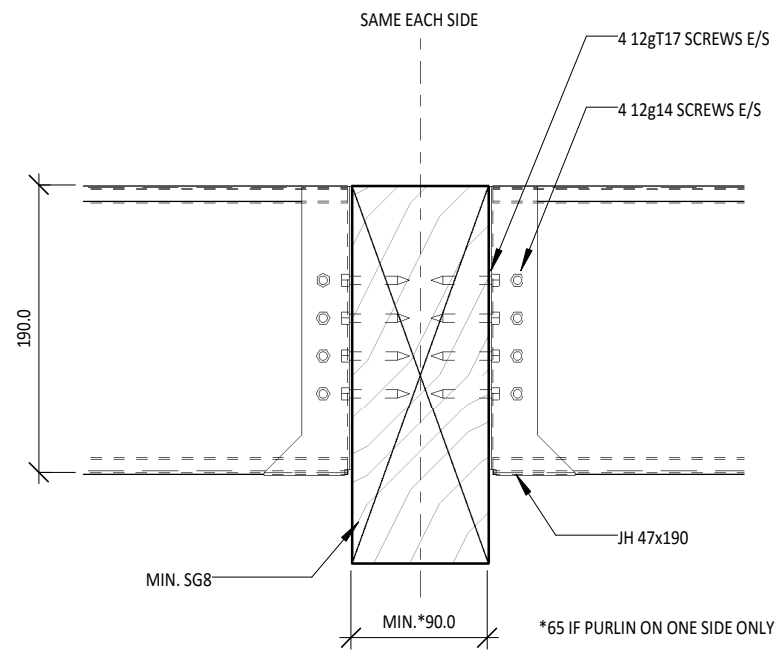
150LC TO TIMBER 3D



150LC TO STEEL 3D

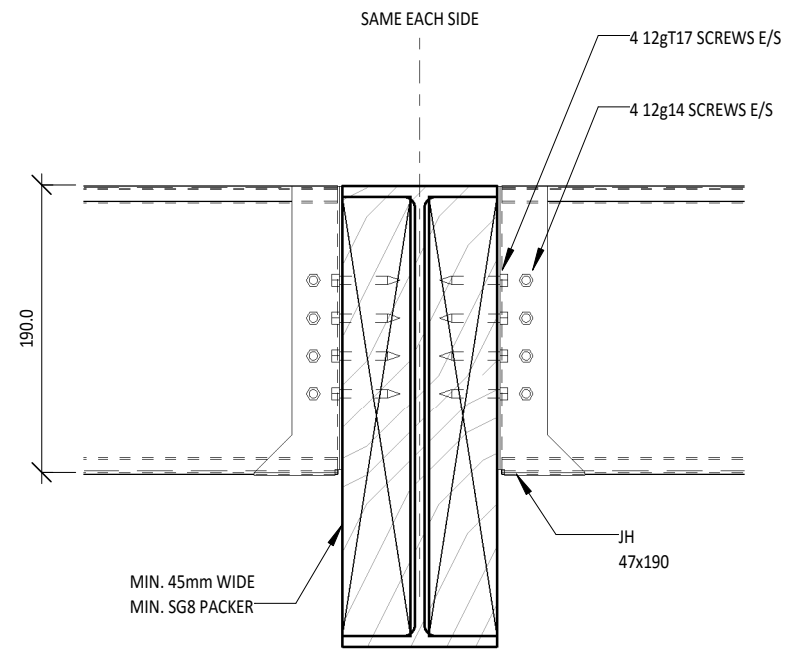


150LC TO COLD FORMED STEEL3D



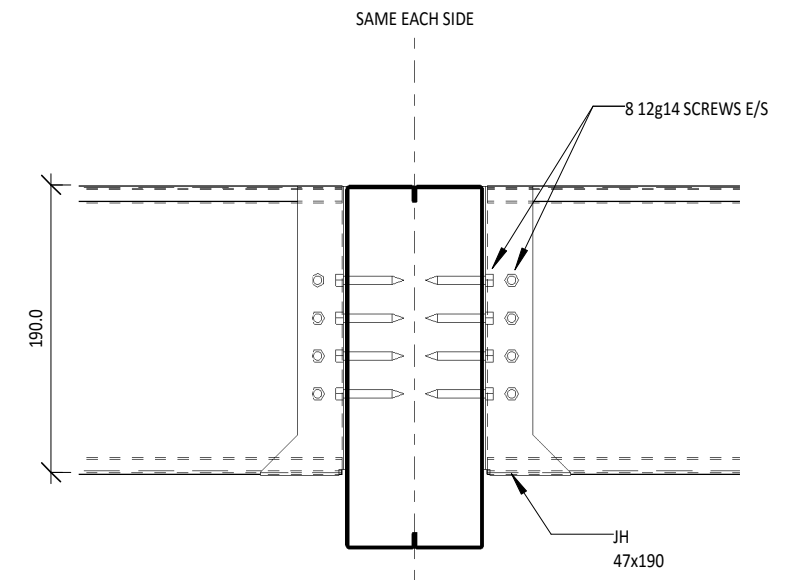
190LC TO TIMBER BEAM CONNECTION

1:5



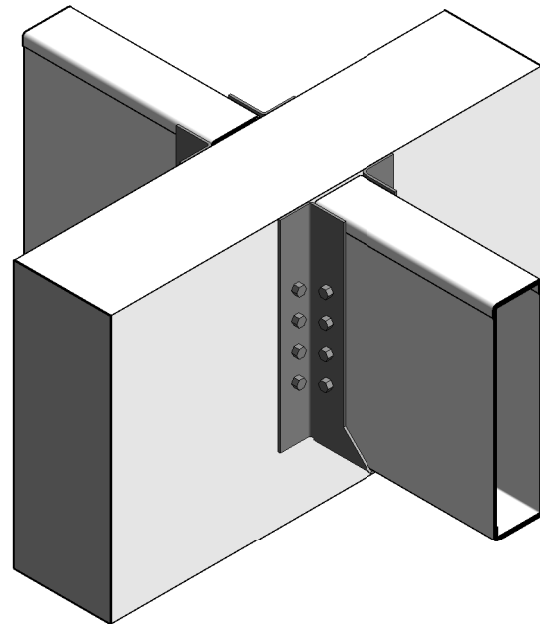
190LC TO STEELBEAM CONNECTION

1:5

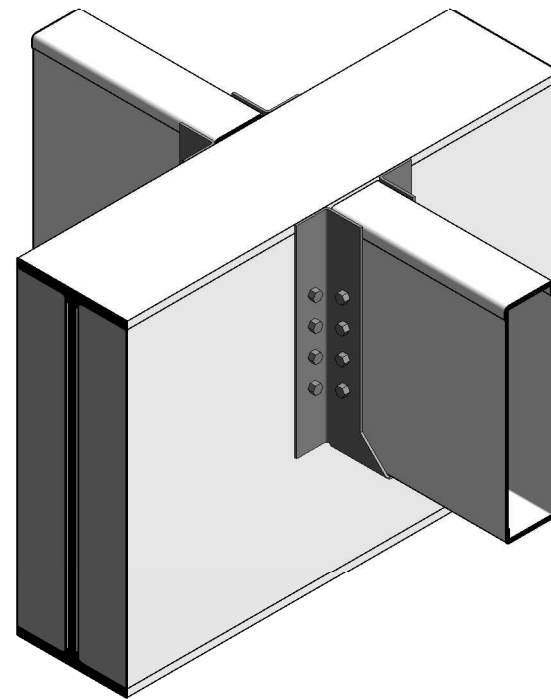


190LC TO COLD FORMED BEAM CONNECTION

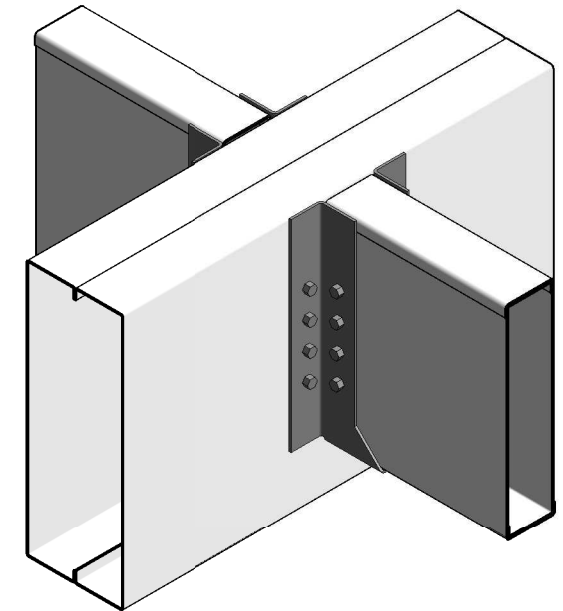
1:5



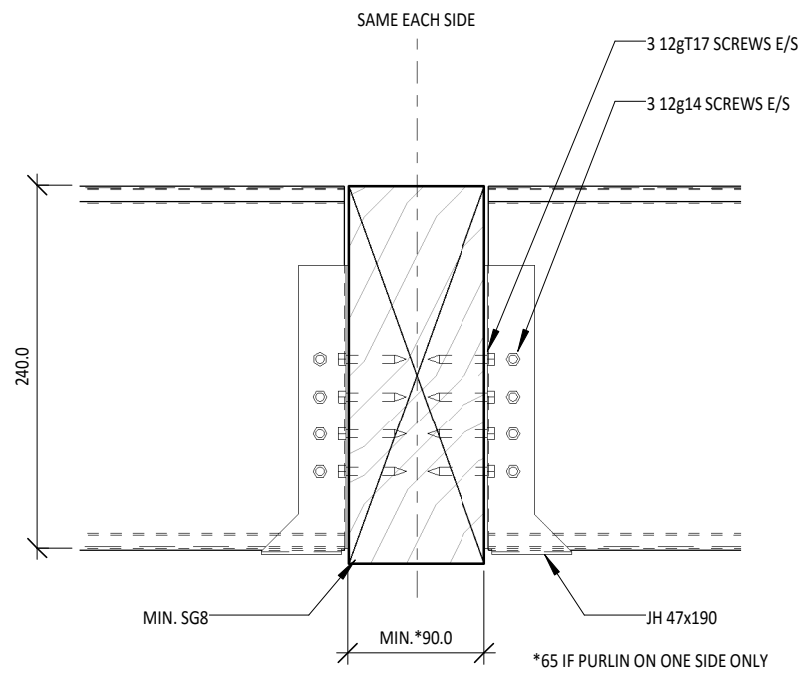
190LC TO TIMBER 3D



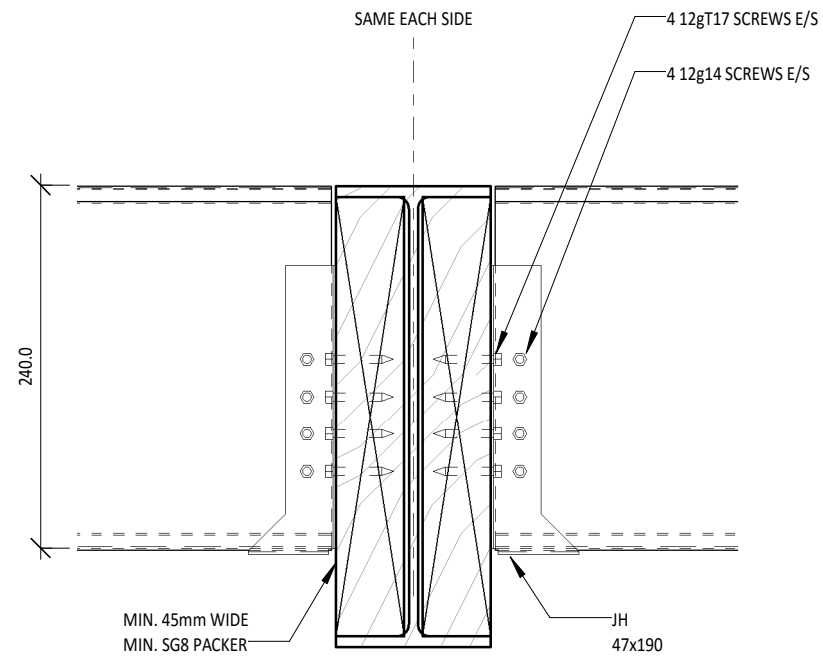
190LC TO STEEL 3D



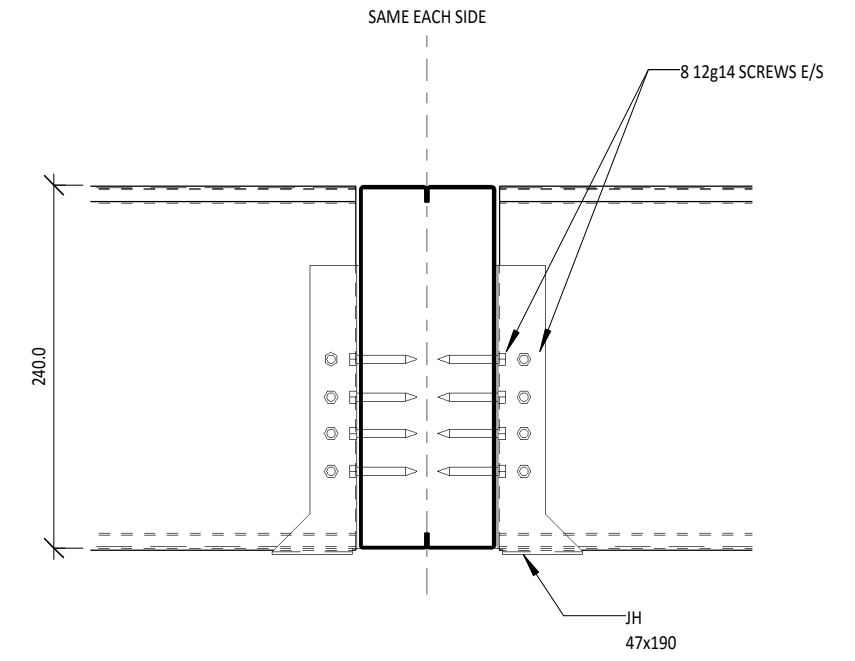
190LC TO COLD FORMED STEEL 3D



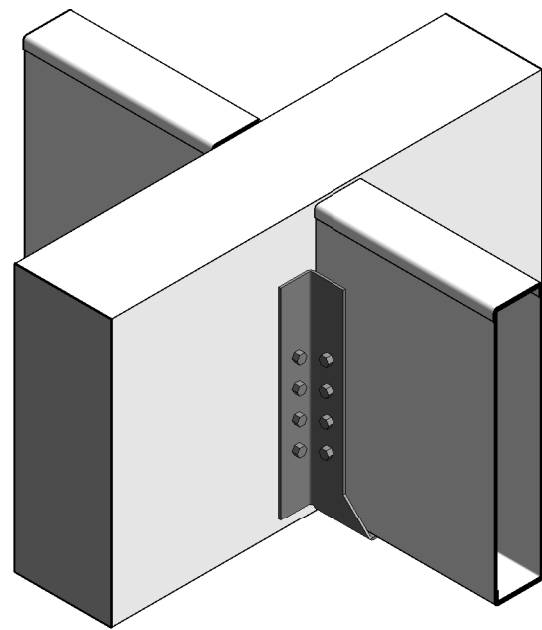
240LC TO TIMBER BEAM CONNECTION
1:5



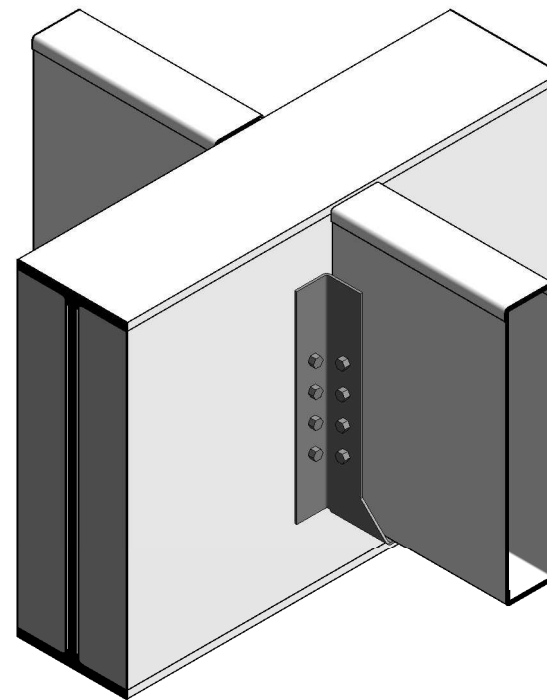
240LC TO STEEL BEAM CONNECTION
1:5



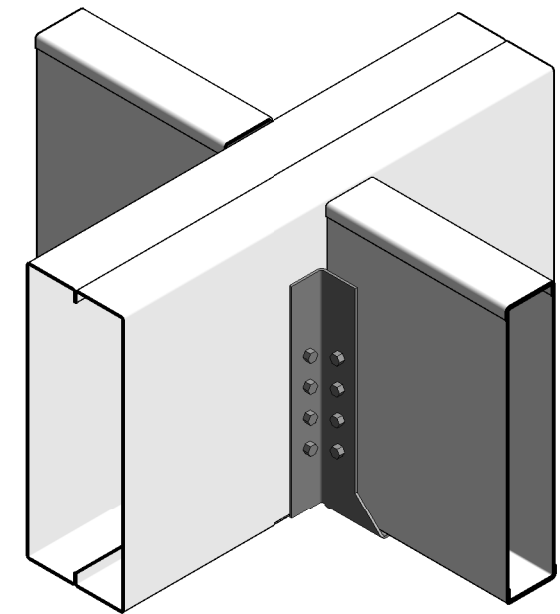
240LC TO COLD FORMED BEAM CONNECTION
1:5



240LC TO TIMBER 3D



240LC TO STEEL 3D



240LC TO COLD FORMED STEEL 3D