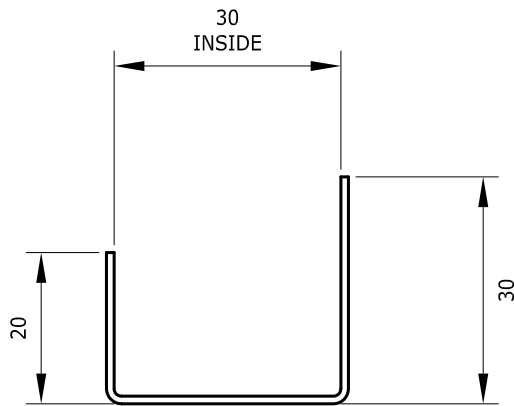


Strip Width = 133.0mm

N

A	AS BUILT	13NOV14
ISSUE	NOTES	DATE

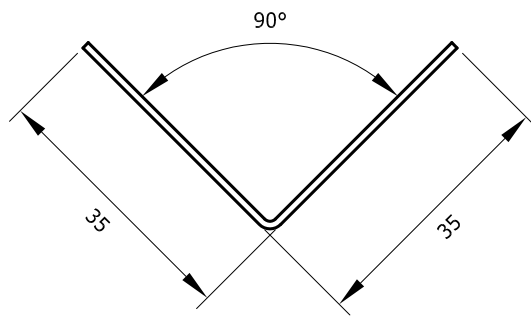
TOLERANCES XX = ± 1.0 XX.X = ± 0.1 XX.XX = ± 0.03	TITLE DS30x0.55mm Ceiling batten		HOWICK ENGINEERING Ltd. 117 Vincent Street, Howick Auckland, New Zealand. COPYRIGHT HOWICK ENGINEERING LTD. ©	
	MATERIAL 0.55mm G250 Z275			
STANDARD TOLERANCES UNLESS OTHERWISE STATED	FINISH Galv		DWG. No. DS30x0.55mm Ceiling Batten A4	
	DRAWN Anton Mucalo	31/05/13		ALL DIMENSIONS ARE IN mm. - UNLESS OTHERWISE STATED. DO NOT SCALE - IF IN DOUBT, ASK.
	CHECKED			



STRIP WIDTH 80mm

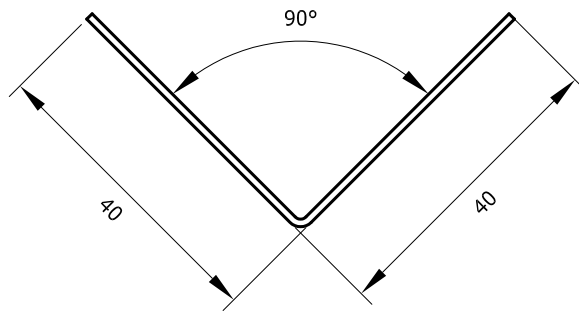
A

ISSUE	NOTES	DATE				
TOLERANCES XX = ± 1.0 XX.X = ± 0.1 XX.XX = ± 0.03	TITLE PC30x0.55 Perimeter Channel		HOWICK ENGINEERING Ltd. 117 Vincent Street, Howick Auckland, New Zealand. COPYRIGHT HOWICK ENGINEERING LTD. © C			
MATERIAL 80x0.55mm G250 Z275					DWG. No. PROF 268B <div style="border: 1px solid black; padding: 2px; display: inline-block;">A4</div>	
FINISH Galv.						
STANDARD TOLERANCES UNLESS OTHERWISE STATED	DRAWN DS	21NOV14	ALL DIMENSIONS ARE IN mm. - UNLESS OTHERWISE STATED. DO NOT SCALE - IF IN DOUBT, ASK.			
CHECKED			SCALE N.T.S.			
APPROVED						



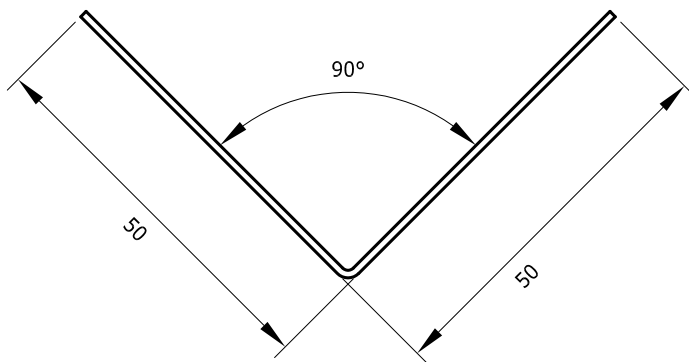
A

ISSUE	NOTES	DATE		
TOLERANCES XX = ± 1.0 XX.X = ± 0.1 XX.XX = ± 0.03			HOWICK ENGINEERING Ltd. 117 Vincent Street, Howick Auckland, New Zealand. <small>COPYRIGHT HOWICK ENGINEERING LTD. ©</small>	
TITLE ED35x0.55mm EasyDwang Angle				
MATERIAL 70x0.55 G250 Z275				
FINISH Galv.			DWG. No. PROF257C <div style="border: 1px solid black; padding: 5px; display: inline-block; font-size: 1.5em;">A4</div>	
STANDARD TOLERANCES UNLESS OTHERWISE STATED	DRAWN DS	21NOV14		ALL DIMENSIONS ARE IN mm. - UNLESS OTHERWISE STATED. DO NOT SCALE - IF IN DOUBT, ASK.
	CHECKED			
	APPROVED			SCALE N.T.S.



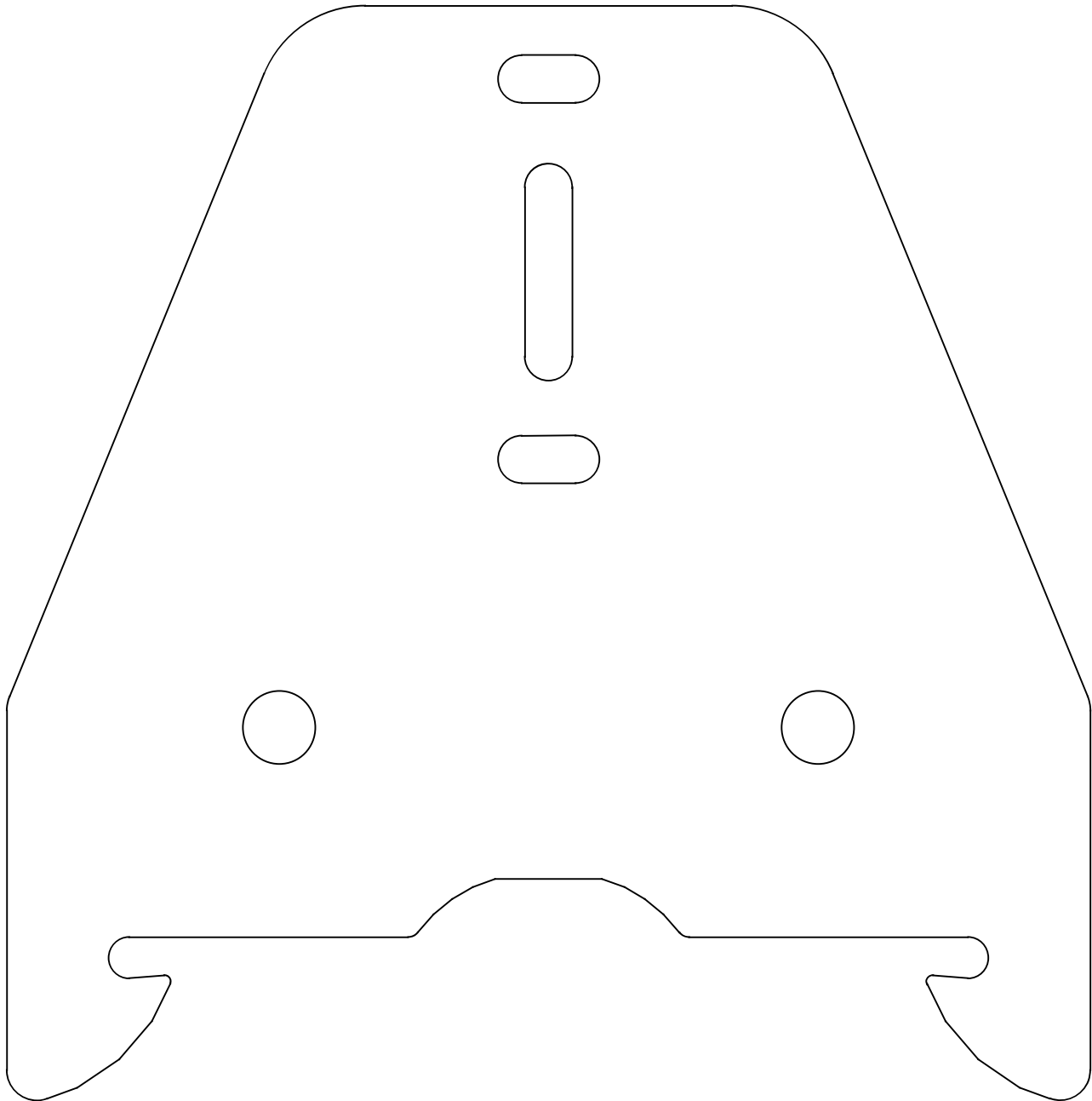
A

ISSUE	NOTES	DATE		
TOLERANCES XX = ± 1.0 XX.X = ± 0.1 XX.XX = ± 0.03	TITLE ED40x0.75mm EasyDwang Angle		HOWICK ENGINEERING Ltd. 117 Vincent Street, Howick Auckland, New Zealand. COPYRIGHT HOWICK ENGINEERING LTD. ©	
	MATERIAL 80x0.75 G250 Z275			
	FINISH Galv.			
STANDARD TOLERANCES UNLESS OTHERWISE STATED	DRAWN DS	21NOV14	ALL DIMENSIONS ARE IN mm. - UNLESS OTHERWISE STATED. DO NOT SCALE - IF IN DOUBT, ASK.	
	CHECKED			
	APPROVED		SCALE N.T.S.	DWG. No. PROF257B <div style="border: 1px solid black; padding: 5px; display: inline-block; font-size: 24px; font-weight: bold;">A4</div>

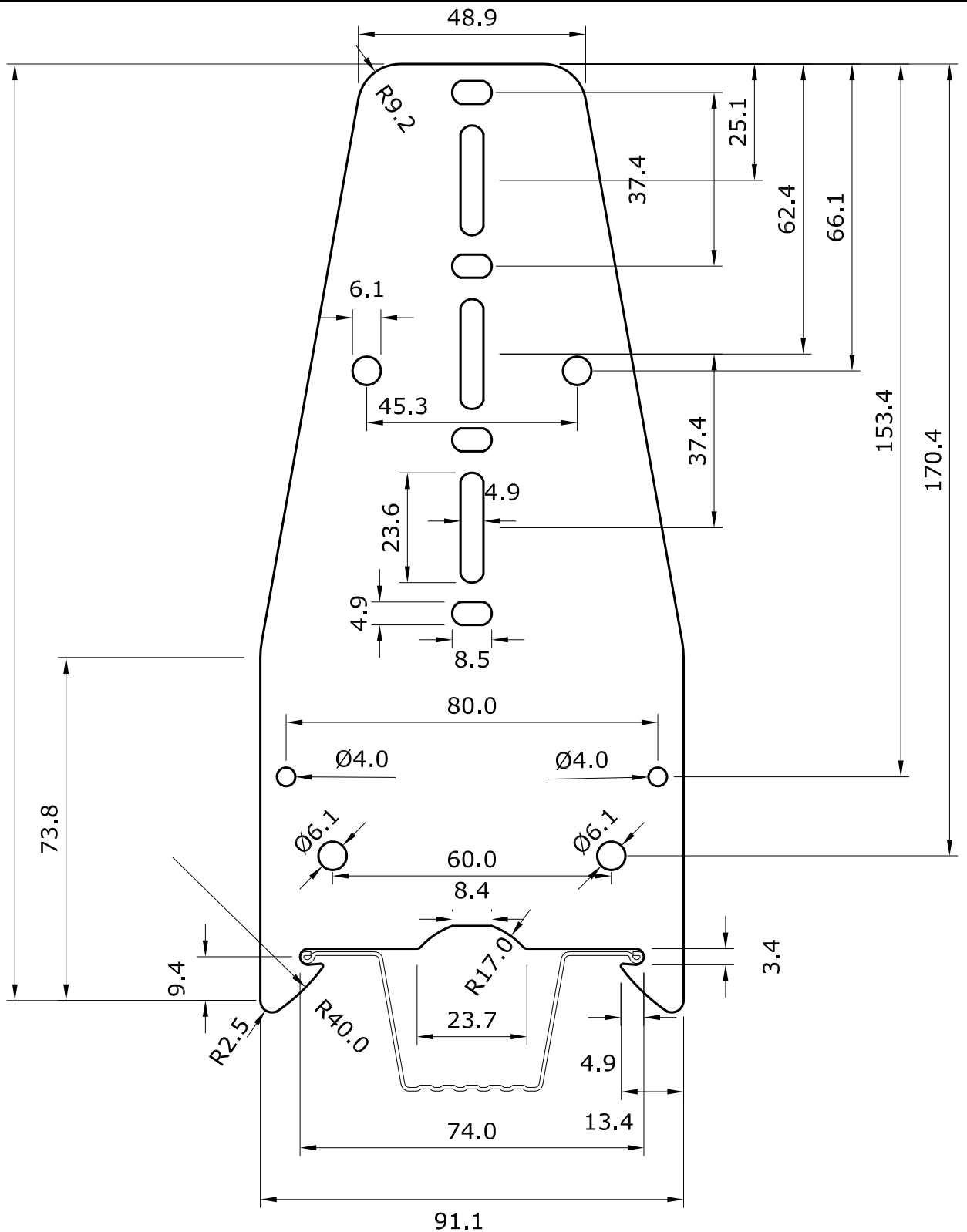


A

ISSUE	NOTES	DATE		
TOLERANCES XX = ± 1.0 XX.X = ± 0.1 XX.XX = ± 0.03			TITLE ED50x0.55mm EasyDwang Angle	
			MATERIAL 100x0.55 G250 Z275	
			FINISH Galv.	
STANDARD TOLERANCES UNLESS OTHERWISE STATED	DRAWN DS	21NOV14	ALL DIMENSIONS ARE IN mm. - UNLESS OTHERWISE STATED. DO NOT SCALE - IF IN DOUBT, ASK.	
	CHECKED			
	APPROVED		SCALE N.T.S.	
			HOWICK ENGINEERING Ltd. 117 Vincent Street, Howick Auckland, New Zealand. <small>COPYRIGHT HOWICK ENGINEERING LTD. ©</small>	
			DWG. No.	PROF257D
			A4	

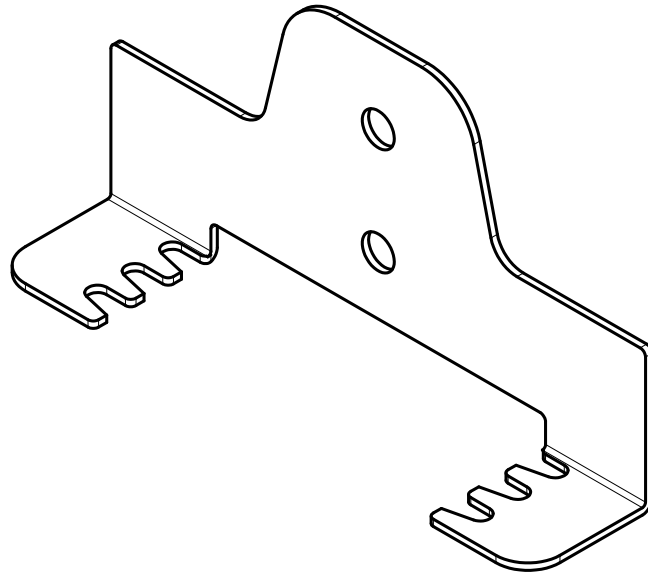


201.6



B	EXTRA HOLES ADDED	17FEB16
A	FOR REVIEW	23MAR15
ISSUE	NOTES	DATE

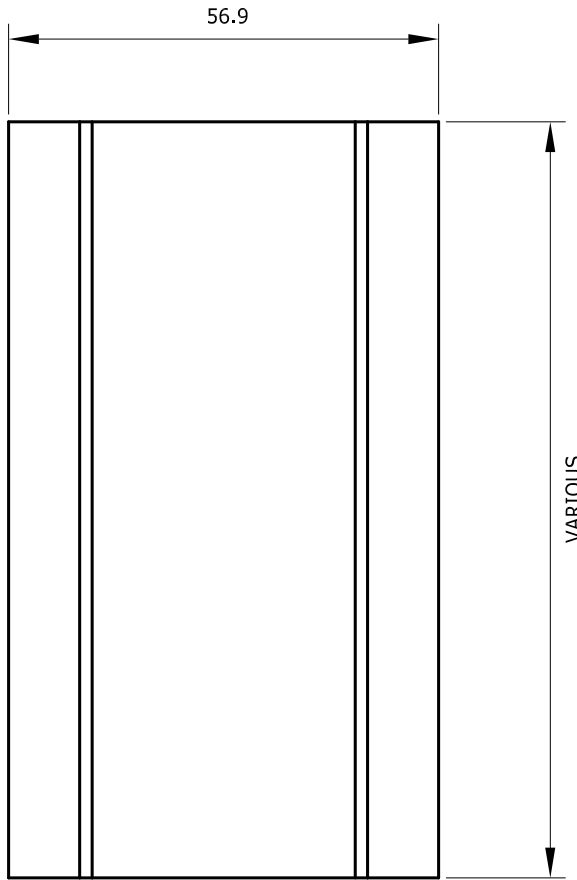
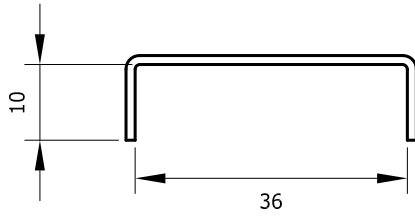
TOLERANCES XX = ± 1.0 XX.X = ± 0.1 XX.XX = ± 0.03	TITLE EBR204x1.0mm Batten Bracket		HOWICK ENGINEERING Ltd. 117 Vincent Street, Howick Auckland, New Zealand. COPYRIGHT HOWICK ENGINEERING LTD. ©
	MATERIAL 1.0 thk B.M.T.		
	FINISH G250 Z275		
STANDARD TOLERANCES UNLESS OTHERWISE STATED	DRAWN Trent Cornwall	18/10/13	ALL DIMENSIONS ARE IN mm. - UNLESS OTHERWISE STATED. DO NOT SCALE - IF IN DOUBT, ASK. SCALE
	CHECKED		
	APPROVED		
DWG. No. EBR204x1.0mm Batten Bracket		Rev B	A4



B	MATERIAL CHANGED TO 1.2mm	24FEB16
A	TOP HAT CLIP SIZE AMENDED	12NOV14
ISSUE	NOTES	DATE

N

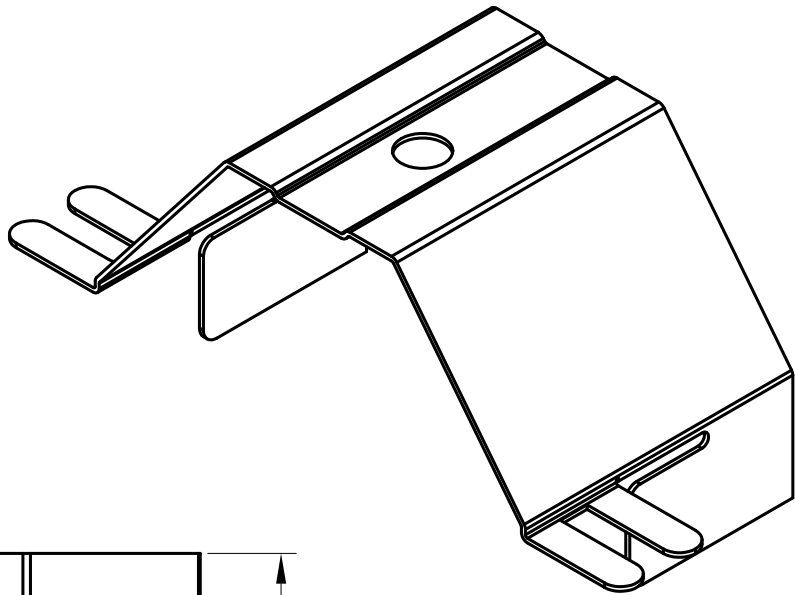
TOLERANCES XX = ± 1.0 XX.X = ± 0.1 XX.XX = ± 0.03	TITLE WBRx1.4mm Adj Wall Bracket (Iso)		HOWICK ENGINEERING Ltd. 117 Vincent Street, Howick Auckland, New Zealand. COPYRIGHT HOWICK ENGINEERING LTD. ©
	MATERIAL 1.4mm G250 Z80		
	FINISH Galv		
STANDARD TOLERANCES UNLESS OTHERWISE STATED	DRAWN D.S.	7Oct14	ALL DIMENSIONS ARE IN mm. - UNLESS OTHERWISE STATED. DO NOT SCALE - IF IN DOUBT, ASK.
	CHECKED		
	APPROVED		SCALE
			DWG. No. WBRx1.4mm Adj Wall Bracket A4



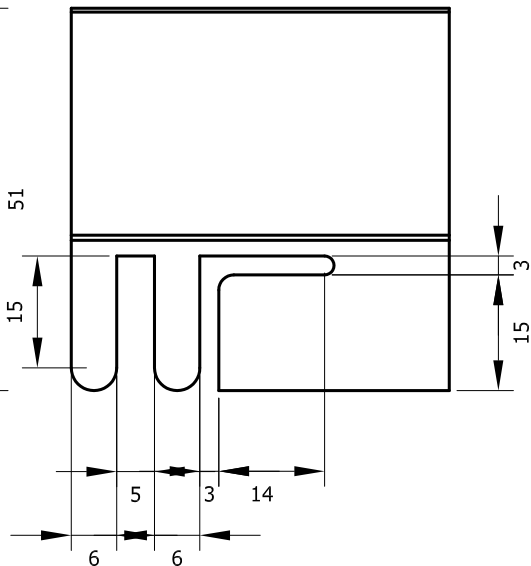
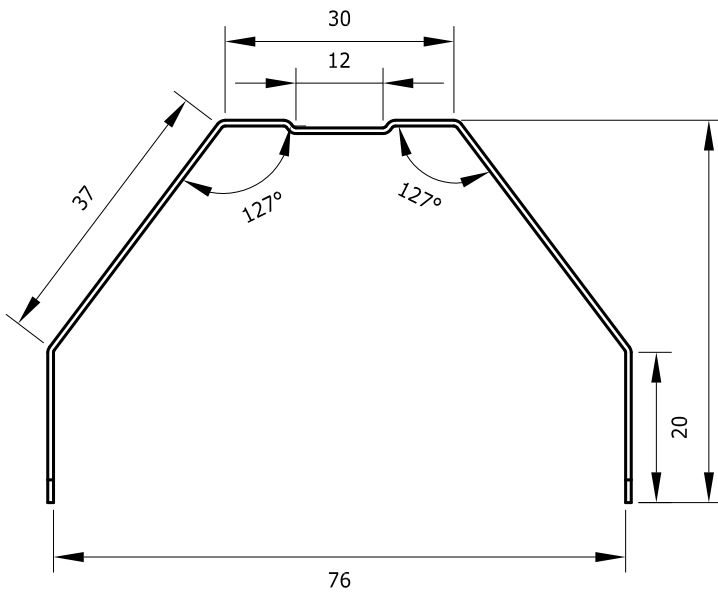
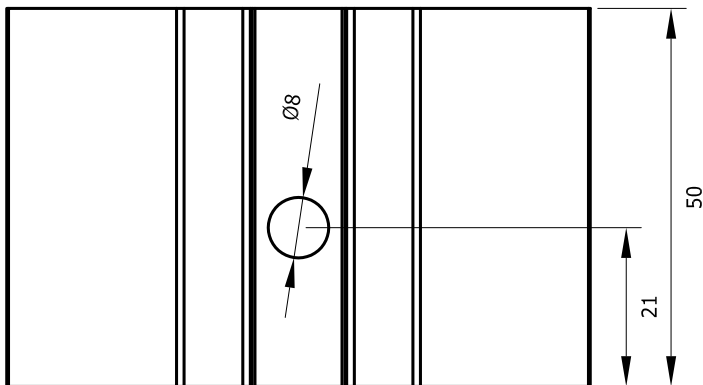
UNBENDED

N

ISSUE	NOTES	DATE		
TOLERANCES XX = ± 1.0 XX.X = ± 0.1 XX.XX = ± 0.03	TITLE SB38x1.2mm Strong Back		HOWICK ENGINEERING Ltd. 117 Vincent Street, Howick Auckland, New Zealand. COPYRIGHT HOWICK ENGINEERING LTD. ©	
	MATERIAL 1.2mm G250 Z275			
	FINISH Galv			
STANDARD TOLERANCES UNLESS OTHERWISE STATED	DRAWN D.S.	7OCT15	ALL DIMENSIONS ARE IN mm. - UNLESS OTHERWISE STATED. DO NOT SCALE - IF IN DOUBT, ASK.	
	CHECKED			
	APPROVED		SCALE	DWG. No. SB38x1.2mm Strong Back A4



FINGERS SHOWN IN FOLDED POSITION



N

ISSUE	NOTES	DATE

TOLERANCES XX = ± 1.0 XX.X = ± 0.1 XX.XX = ± 0.03	TITLE SBBx0.75mm 30mm Strong Back Bracket	
	MATERIAL 0.75mm G250 Z80	
	FINISH Galv	
	DRAWN D.S.	29Feb16
STANDARD TOLERANCES UNLESS OTHERWISE STATED	CHECKED	ALL DIMENSIONS ARE IN mm. - UNLESS OTHERWISE STATED. DO NOT SCALE - IF IN DOUBT, ASK.
	APPROVED	

HOWICK ENGINEERING Ltd. 117 Vincent Street, Howick Auckland, New Zealand. <small>COPYRIGHT HOWICK ENGINEERING LTD. ©</small>	
DWG. No.	SBBx0.75mm Strong Back Bracket
A4	