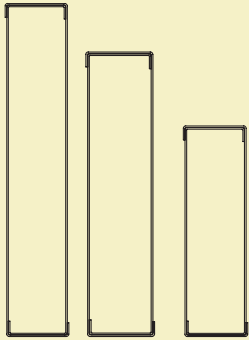
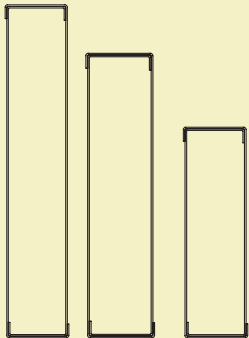


# BIRD PROOF PURLINS



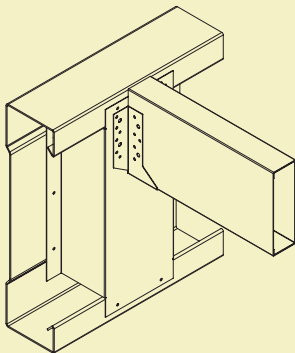
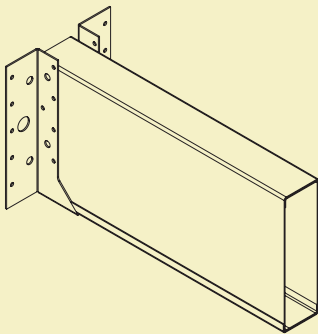
**Product**

BPP100x45  
BPP120x45  
BPP150x45



**Product**

BPP190x45  
BPP240x45  
BPP290x45



**Rollforming Services Boxed Bird Proof Purlins** can be incorporated into C Purlin Portal, Structural Steel and Timber Pole Shed designs with ease. They are lightweight, dimensionally accurate and straight. They fit into shed structures utilizing the same joist hangers designed for use with Timber. They can be used in Herringbone Sheds, Wintering Sheds, Dry Feed Pads, Critical Storage Sheds, Implement sheds and canopies where Bird Proofing is a necessity.

There are 3 key reasons these Purlins are Bird proof

- The enclosed box section means there are no lips or channels for the bird to perch on.
- By mounting the Boxed Purlin between Portals rather than on top like other Purlin Products we greatly reduce the nesting points available to birds.
- The product is symmetrical, which reduces rolling of the section under load, therefore allowing us to remove the girts and bracing required by other products. The traditional strap bracing can just be fitted above the Purlins.

## ADVANTAGES

- No waste the Purlins arrive on site cut to length ready to be installed.
- Increased span, when compared to similar sized profiles of both Steel and Timber. With our Boxed Sections we can span up to 9 metres in extra high wind and snow load.
- Easy install, simply mount the Joist Hangers to the Portal during assembly on the ground, then carry your pack of Boxed Purlins up with you on the Cherry Picker or Scissor Platform, they can then drop straight into the hangers at each end ready for you to connect using Tek Screws, no cumbersome bracing or nuts and bolts to deal with.
- No need to flash the lower flange or between top mounted purlins, therefore reducing labour and material costs on site.

See our connection detail pdf's to see how easily these attach to the building.

The Boxed Purlins are also lightweight,

- 150mm section 4.6kg per metre
- 190mm section 5.3kg per metre
- 240mm section 6.2kg per metre

## BIRD PROOF PURLIN SPAN CALCULATOR

Our Span calculator will give you your Profile, Spacing, Span capability for a range of Building Categories, and Building Types to assist your building engineer in the design of your building. This is supported by the Section Properties and Engineering calculations document.

Manufactured utilising the same AXXIS® Steel for framing that you see on TV, you know these purlins are covered by New Zealand Steels Durability Statement and that they will stand the test of time in New Zealand conditions. The 1.15mm High tensile steel provides ample pull out KN for all applications.

## Span Tables for IL2 16 degree light weight roof with enclosed sides

Medium Wind Zone IL2 16 degree light weight roof enclosed, no purlin bracing

Purlin Spacing	Purlin Span							
	4.000	5.000	6.000	7.000	8.000	9.000	10.000	11.000
0.900	100/.75	100/.95	150/.75	150/.95	190/1.15	190/1.15	240/1.15	290/1.15
1.200	100/.75	120/.75	150/.75	190/1.15	190/1.15	240/1.15	290/1.15	NA
1.500	100/.75	120/.95	150/.95	190/1.15	240/1.15	290/1.15	NA	NA
1.800	100/.95	150/.95	190/1.15	190/1.15	240/1.15	NA	NA	NA
2.400	120/.95	150/.95	190/1.15	240/1.15	NA	NA	NA	NA

High Wind Zone IL2 16 degree light weight roof enclosed, no purlin bracing

Purlin Spacing	Purlin Span							
	3.000	4.000	5.000	6.000	7.000	8.000	9.000	10.000
0.900	100/.75	100/.75	120/.95	150/.95	190/1.15	190/1.15	240/1.15	290/1.15
1.200	100/.75	120/.75	150/.75	150/1.15	190/1.15	240/1.15	290/1.15	NA
1.500	100/.75	120/.75	150/.95	190/1.15	200/1.15	290/1.15	NA	NA
1.800	100/.75	150/.75	150/1.15	190/1.15	240/1.15	NA	NA	NA
2.400	100/.75	150/.95	190/1.15	240/1.15	NA	NA	NA	NA

Very High Wind Zone IL2 16 degree light weight roof enclosed, no purlin bracing

Purlin Spacing	Purlin Span							
	3.000	4.000	5.000	6.000	7.000	8.000	9.000	10.000
0.900	100/.75	120/.75	150/.75	150/1.15	190/1.15	240/1.15	290/1.15	NA
1.200	100/.75	120/.75	150/.95	190/1.15	200/1.15	240/1.15	NA	NA
1.500	100/.75	150/.75	150/1.15	190/1.15	240/1.15	NA	NA	NA
1.800	100/.75	150/.75	190/1.15	200/1.15	290/1.15	NA	NA	NA
2.400	100/.75	150/.95	190/1.15	290/1.15	NA	NA	NA	NA

NOTE Further span capabilities and combinations please refer to our Bird Proof Purlin Span Calculator online



Rollforming Services have unsurpassed knowledge and passion for producing roll formed steel profiles. Set up in 1996 as a contract roll forming company with the technical design and build backing of Howick Ltd, one of New Zealand's most innovative roll forming machine producers. We continue to provide fast, friendly service to all our customers.

### ROLLFORMING SERVICES ALSO SUPPLY

**Speedfloor:** Concrete flooring system

**Steel Joist, Truss, Framing and Battens:** For commercial and domestic use

**Tophat Purlins:** Used in light gauge commercial steel buildings

**Custom Profiles:** For all steel fabrication uses including and not limited too HVAC, Truck bodies, Fencing, Roller/Sliding/Tilt/ Sectional doors, Packaging, Roading and Agriculture.