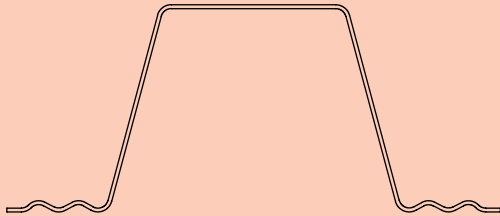
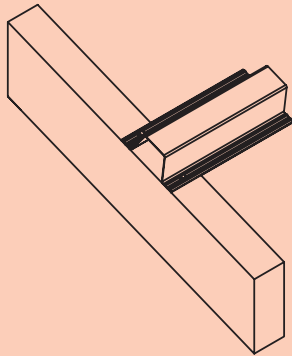
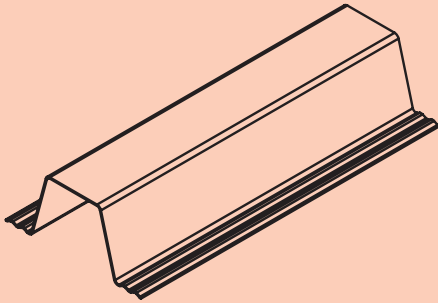


40mm RESIDENTIAL ROOF PURLINS



Product	Lengths Available	Bundle Qty
DS40 x 0.55mm G550 Tophat Purlin	Run to order	50 lengths
DS40 x 0.75mm G550 Tophat Purlin	4.8m, 6.0m, run to order	50 lengths
DS40 x 0.95mm G550 Tophat Purlin	Run to order	50 lengths



PRODUCT DESCRIPTION

DS40 Roof Purlins are a direct replacement for timber purlins. They are designed to be a structural element of the building for use with light weight steel roof and wall profiles.

PRODUCT FEATURES

- Spans up to 1200mm at 900mm spacing.
- Can be used in extra high wind and in snow load situations.
- Light weight 0.725 kg per metre, 0.967 kg per metre, 1.209 kg per metre
- Dimensionally stable, they expand and contract at 0.1% the same rate as the roof in extreme temperature changes.
- They don't absorb moisture.
- No more buckling ridge line flashings.
- Available cut to length or from stock.
- Lengths can be lapped reducing cut time and wastage.
- They can be fitted to both timber and steel trusses or rafters.
- Made from NZ Steels Axxis Steel, the sustainable choice.
- 100% recyclable.

DURABILITY

Purlins are manufactured from hot dipped galvanized steel with a coating weight of 275gram/sqm, in line with other common lightweight steel structural building products. This gives good protection in most exposed internal environments. Run off from, or contact with, materials which are incompatible with zinc should be avoided.

The product is finished to meet the requirements of durability as per the attached durability statement. The E2 requirement stated on the PS1 for fifty year life is based on their use within the building envelop for non-exposed environment.

HANDLING AND STORAGE

Roof Purlins must be kept dry during storage as water present between close stacked sections will cause premature corrosion. If they become wet they should be separated and stacked openly to allow for ventilation to dry the surface.

40mm Battens for Roof and Wall Cladding

40 x 73 x 0.55mm G550 Tophat Profile

For connections to min 0.55 ga steel Connect with min 1-10 gauge screw for up to 0.5kN/m, 2 per 1.0kN/m, 3 per 1.5kN/m, and 4 per 2.0kN/m	Section Spacings (mm)										
	300 Spacings				600 Spacings			900 Spacings			
	Max Span (m)	Max UDL (kN/m)	Fixing to Truss/Rafter		Max Span (m)	Max UDL (kN/m)	Steel	Max Span (m)	Max UDL (kN/m)	Fixing to Truss/Rafter	
			Timber	Steel						Timber	Steel
Medium wind 37m/s 0.821KpA	1.2	0.44	Type A	Type B	1.2	0.44	Type B	1.1	0.66	Type A	Type B
High wind 44m/s 1.160KpA	1.2	0.63	Type A	Type B	1.2	0.63	Type B	1.0	0.95	Type A	Type B
Very high wind 50m/s 1.500KpA	1.2	0.81	Type A	Type B	1.1	0.81	Type B	0.9	1.22	Type A	Type B
Extra high wind 55m/s 1.815KpA	1.2	0.98	Type A	Type B	1.0	0.98	Type B	0.8	1.47	Type B	Type C
Snow, Regions (N2,N3,N4,N5)<150m	1.2	0.98	Type A	Type B	1.0	0.98	Type B	0.8	0.66	Type B	Type B
Snow, Regions N2>200m	1.2	0.98	Type A	Type B	1.0	0.98	Type B	0.8	0.66	Type B	Type B
Snow, Alpine Regions>900m	1.2	0.98	Type A	Type B	1.0	0.98	Type B	0.8	0.95	Type B	Type B

40 x 73 x 0.75mm G550 Tophat Profile

For connections to wood substrate Refer NZS3604:2011 for wind loadings. For connections to min 0.75 ga steel Connect with min 1-10 gauge screw for up to 0.50 kN/m, 2 per 1.0kN/m, 3 per 1.5kN/m, and 4 per 2.0kN/m	40 x 75 Profile G550 Section Spacings (mm)											
	300 Spacings			600 Spacings			900 Spacings			1200 Spacings		
	Max Span (m)	Fixing to Truss/Rafter		Max Span (m)	Fixing to Truss/Rafter		Max Span (m)	Fixing to Truss/Rafter		Max Span (m)	Fixing to Truss/Rafter	
		Timber	Steel		Timber	Steel		Timber	Steel		Timber	Steel
Medium wind 37m/s 0.821KpA	1.2	Type A	Type A	1.2	Type A	Type B	1.2	Type B	Type B	1.2	Type B	Type C
High wind 44m/s 1.160KpA	1.2	Type A	Type A	1.2	Type A	Type B	1.2	Type B	Type C	1.1	Type B	Type C
Very high wind 50m/s 1.500KpA	1.2	Type A	Type B	1.2	Type B	Type C	1.1	Type B	Type C	1.0	Type B	Type C
Extra high wind 55m/s 1.815KpA	1.2	Type A	Type B	1.1	Type B	Type C	1.0	Type B	Type C	0.9	Type C	Type C
Snow, Regions (N2,N3,N4,N5)<150m	1.2	Type A	Type B	1.1	Type B	Type C	1.0	Type B	Type C	0.9	Type C	Type C
Snow, Regions N2>200m	1.2	Type A	Type B	1.1	Type B	Type C	1.0	Type B	Type C	0.9	Type C	Type C
Snow, Alpine Regions>900m	1.2	Type A	Type B	1.1	Type B	Type C	0.9	Type B	Type C	0.9	Type C	Type C

40 x 73 x 0.75mm G550 Tophat Profile

For connections to wood substrate Refer NZS3604:2011 for wind loadings. For connections to min 0.75 ga steel Connect with min 1-10 gauge screw for up to 0.50 kN/m, 2 per 1.0kN/m, 3 per 1.5kN/m, and 4 per 2.0kN/m	40 x 95 Profile G550 Section Spacings (mm)											
	300 Spacings			600 Spacings			900 Spacings			1200 Spacings		
	Max Span (m)	Fixing to Truss/Rafter		Max Span (m)	Fixing to Truss/Rafter		Max Span (m)	Fixing to Truss/Rafter		Max Span (m)	Fixing to Truss/Rafter	
		Timber	Steel		Timber	Steel		Timber	Steel		Timber	Steel
Medium wind 37m/s 0.821KpA	1.2	Type A	Type A	1.2	Type A	Type B	1.2	Type B	Type B	1.2	Type B	Type C
High wind 44m/s 1.160KpA	1.2	Type A	Type A	1.2	Type A	Type B	1.2	Type B	Type C	1.2	Type B	Type C
Very high wind 50m/s 1.500KpA	1.2	Type A	Type B	1.2	Type B	Type C	1.2	Type B	Type C	1.1	Type B	Type C
Extra high wind 55m/s 1.815KpA	1.2	Type A	Type B	1.2	Type B	Type C	1.1	Type B	Type C	1.0	Type C	Type C
Snow, Regions (N2,N3,N4,N5)<150m	1.2	Type A	Type B	1.2	Type B	Type C	1.1	Type B	Type C	1.0	Type C	Type C
Snow, Regions N2>200m	1.2	Type A	Type B	1.2	Type B	Type C	1.1	Type B	Type C	1.0	Type C	Type C
Snow, Alpine Regions>900m	1.2	Type A	Type B	1.2	Type B	Type C	1.1	Type B	Type C	1.0	Type C	Type C

FASTENERS:

For connections to wood substrate refer to NZ3604:2011 for wind loadings.

For fasteners use a Type A, B, C as noted, minimum number of fasteners required to fix batten to the rafter or truss/batten location

Type A 1x Screw	Type Buildex 12 - 11 x 40 Hex Head BattenZips® Climaseal® 3 or equivalent from other supplier
Type B 2 Screws	Type Buildex 12 - 11 x 40 Hex Head BattenZips® Climaseal® 3 or equivalent from other supplier
Type C 3 Screws	Type Buildex 12 - 11 x 40 Hex Head BattenZips® Climaseal® 3 or equivalent from other supplier

DESIGN NOTES:

The tables are based on section properties for Top Hat Sections outlined in the data provided by Roll Forming Services. 55 Gauge Top Hats are not recommended to be used for greater than 900mm spacings. These tables and associated documents demonstrate compliance with the provisions of the Nash Standards for low rise steel framing. Battens are specifically designed to meet the loadings as stated in NZ Building Code NZS3604:2011. For wind loadings the pressure factor combinations comply with a local pressure factor $kCp = +2.0$. For snow loadings the maximum span may be reduced to comply with maximum span for extra high wind loading if this loading controls.

CERTIFICATION:

The tables are based on the provisions of the Engineers PS1 for work to meet the NZ Building Code for design. The E2 requirement stated on the PS1 for fifty year life is based on their use within the building envelop for non-exposed environment. The product is finished to meet the requirements of durability as per the attached durability statement.

INSTALLATION:

- Connection details are available on our website.
- Training can also be arranged for your team.
- Synthetic Roofing underlays are recommended.
- We have supply install partners for those wanting this option.

Rollforming Services have unsurpassed knowledge and passion for producing roll formed steel profiles. Set up in 1996 as a contract roll forming company with the technical design and build backing of Howick Ltd, one of New Zealand's most innovative roll forming machine producers. We continue to provide fast, friendly service to all our customers.

ROLLFORMING SERVICES ALSO SUPPLY

Speedfloor: Concrete flooring system

Steel Joist, Truss, Framing and Battens: For commercial and domestic use

Tophat Purlins: Used in light gauge commercial steel buildings

Custom Profiles: For all steel fabrication uses including and not limited too HVAC, Truck bodies, Fencing, Roller/Sliding/Tilt/Sectional doors, Packaging, Roading and Agriculture.