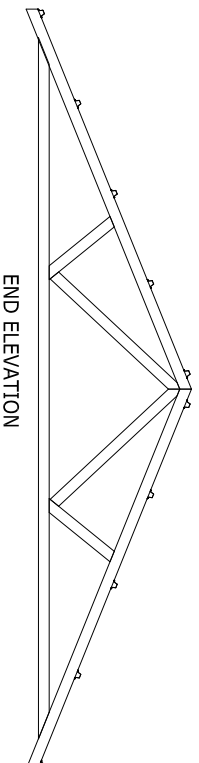
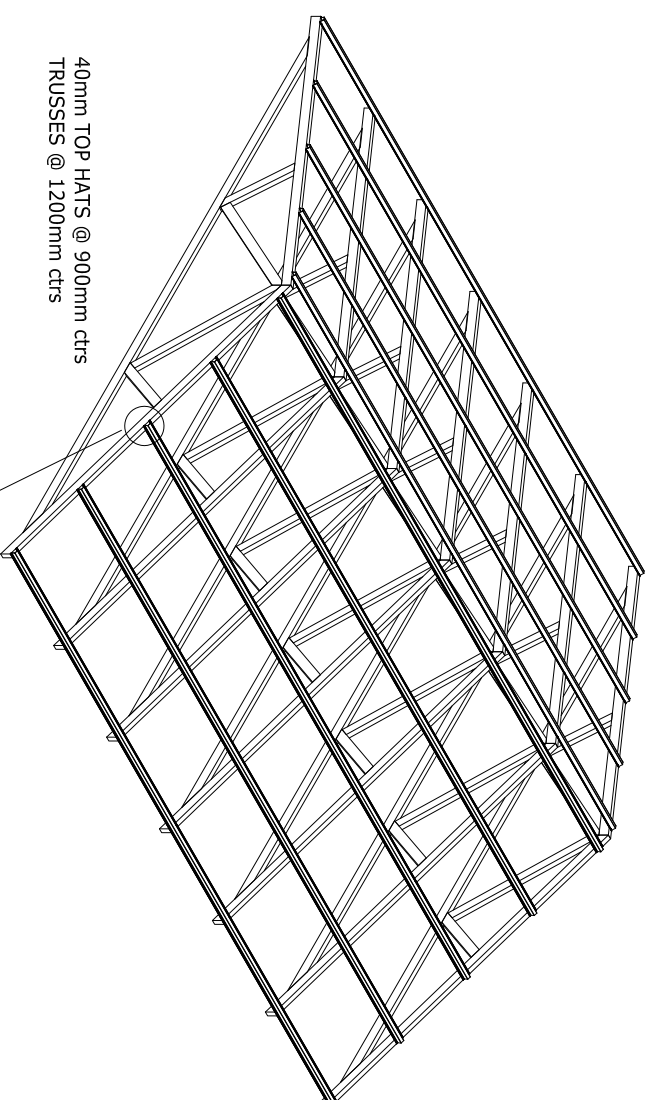
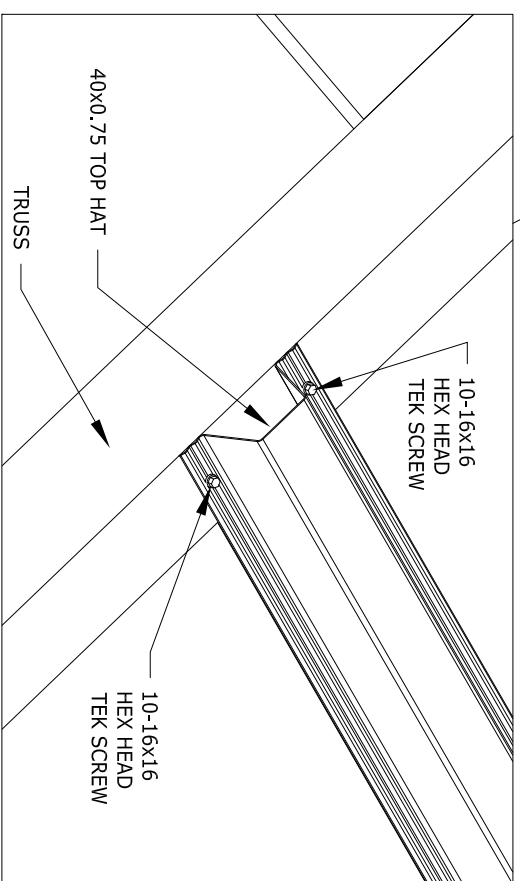


PLAN



END ELEVATION



ISSUE	NOTES	DATE

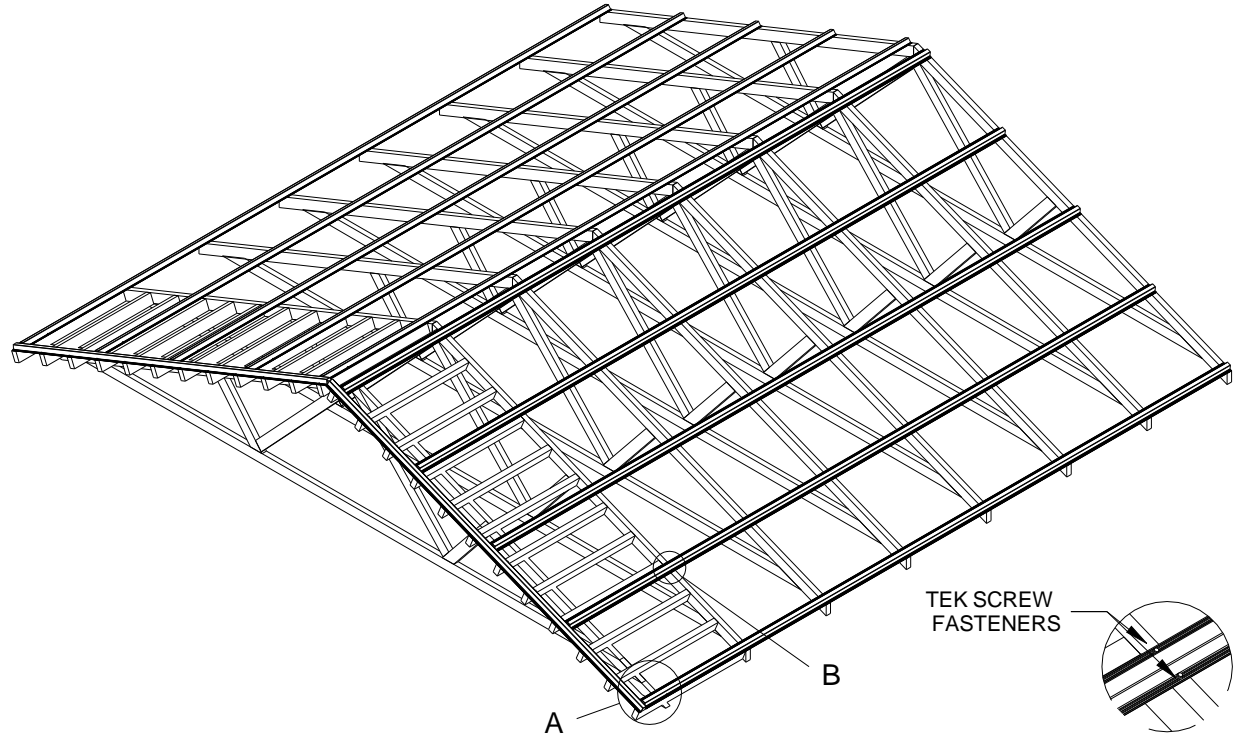
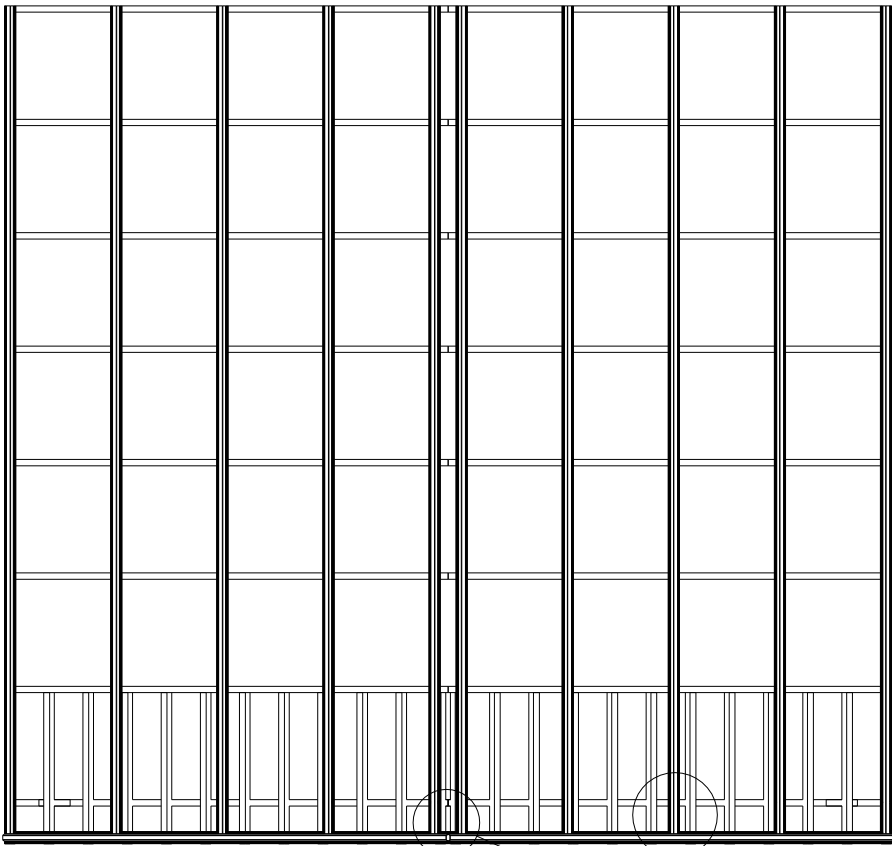
TOLERANCES XX = ± 1.0 XX.X = ± 0.1 XX.XX = ± 0.03		STANDARD TOLERANCES UNLESS OTHERWISE STATED	
TITLE 40mm TOP HAT @ 900ctrs		MATERIAL	
DRAWN DS		22 MAR 2015	
CHECKED		APPROVED	
SCALE		ALL DIMENSIONS ARE IN mm. - UNLESS OTHERWISE STATED. - IF IN DOUBT, ASK.	

HOWICK
INNOVATION... READY TO ROLL
COPYRIGHT HOWICK LTD. ©

DWG. No. **30TOPHAT022**

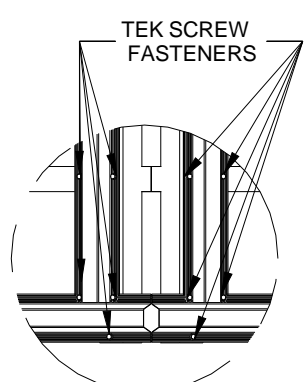
A3

Note:
Non-specified Tolerances ± 0.1mm

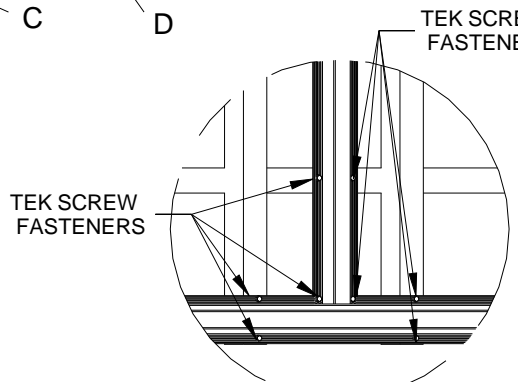


TEK SCREW FASTENERS

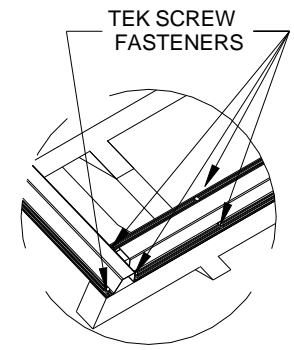
Detail B



Detail C

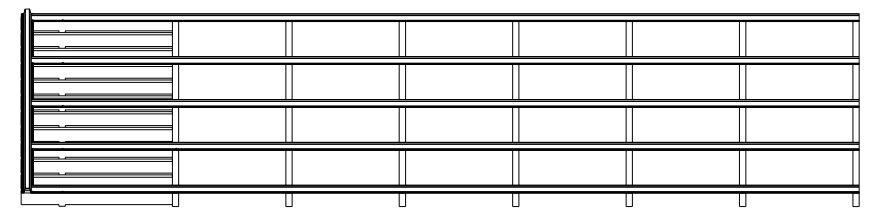
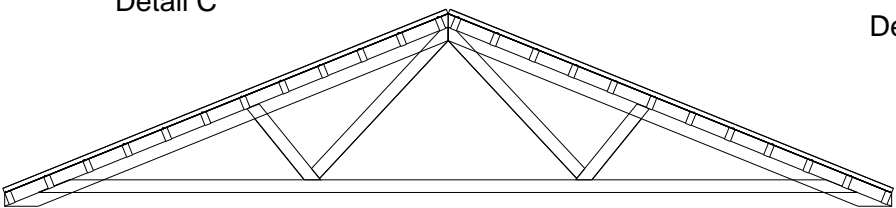


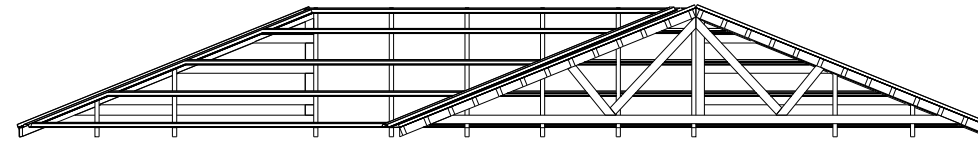
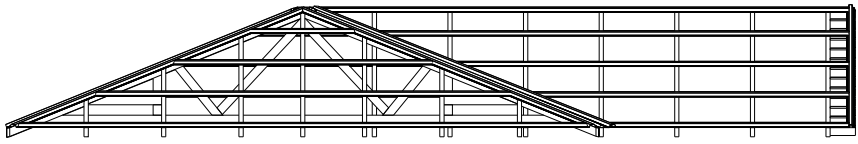
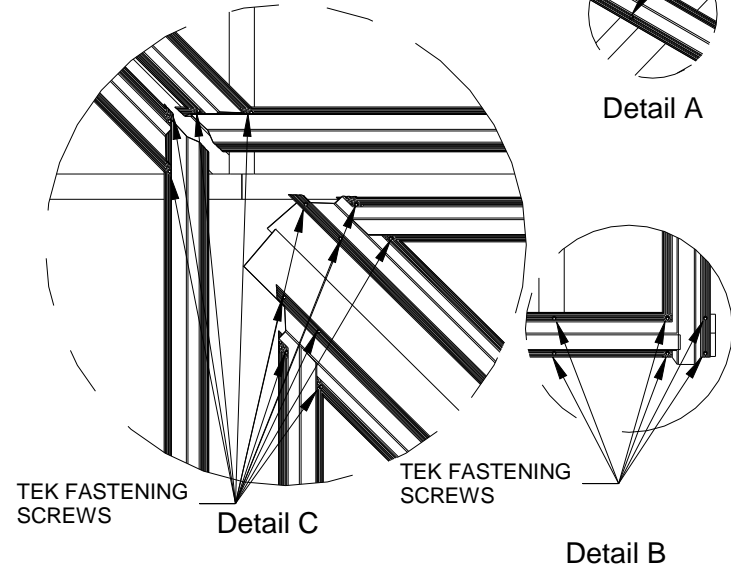
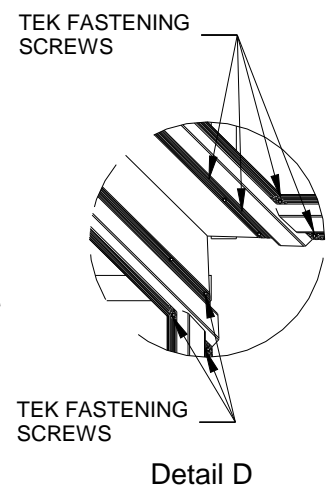
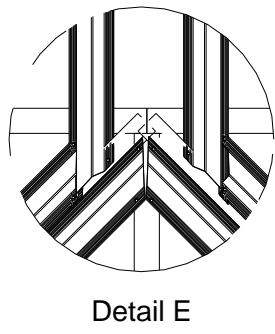
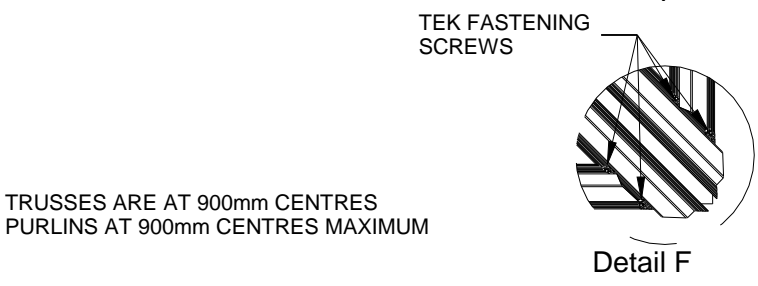
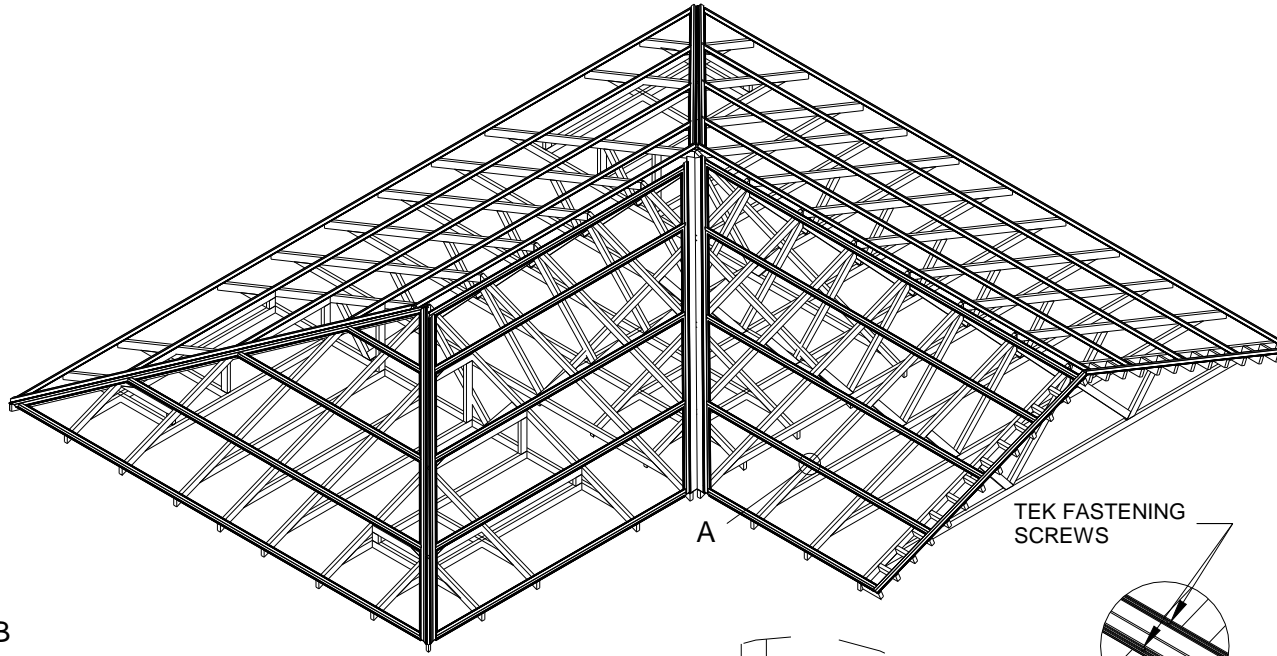
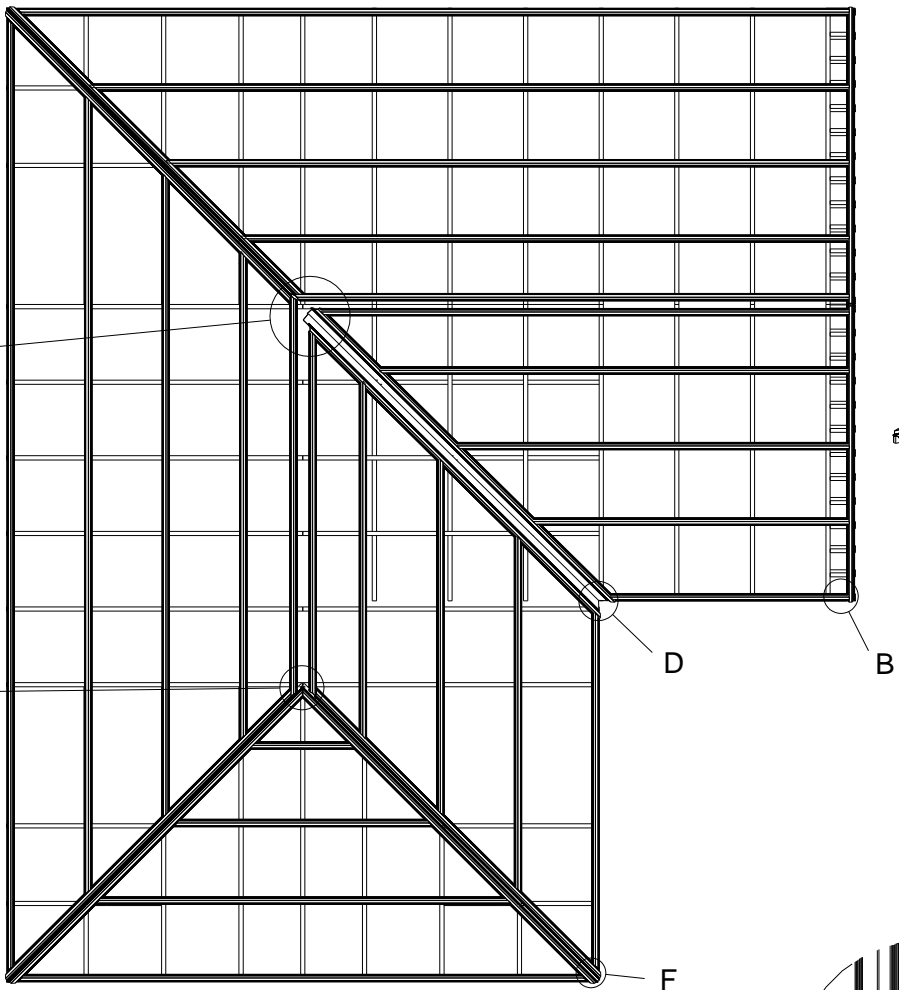
Detail D

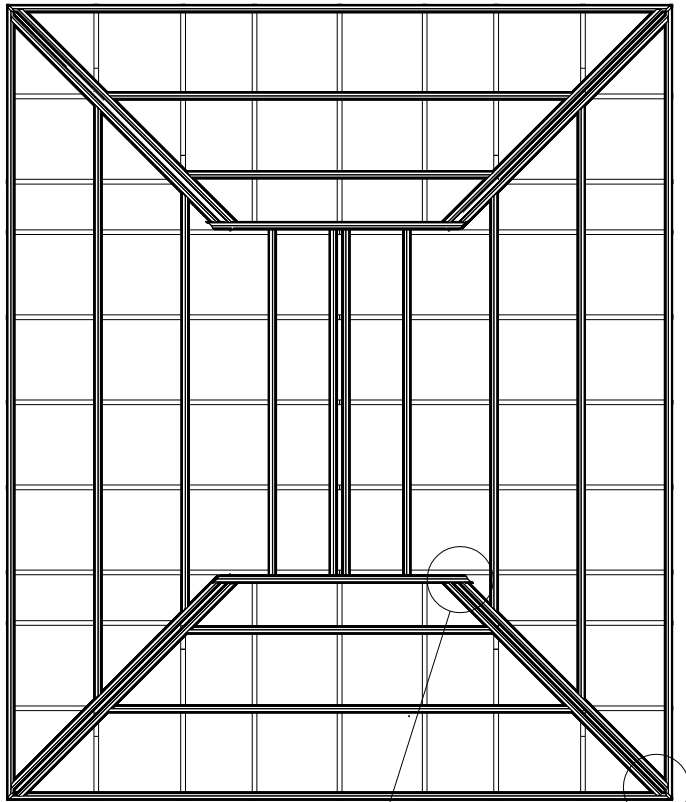


Detail A

TRUSSES ARE AT 900mm CENTRES
PURLINS AT 900mm CENTRES MAXIMUM

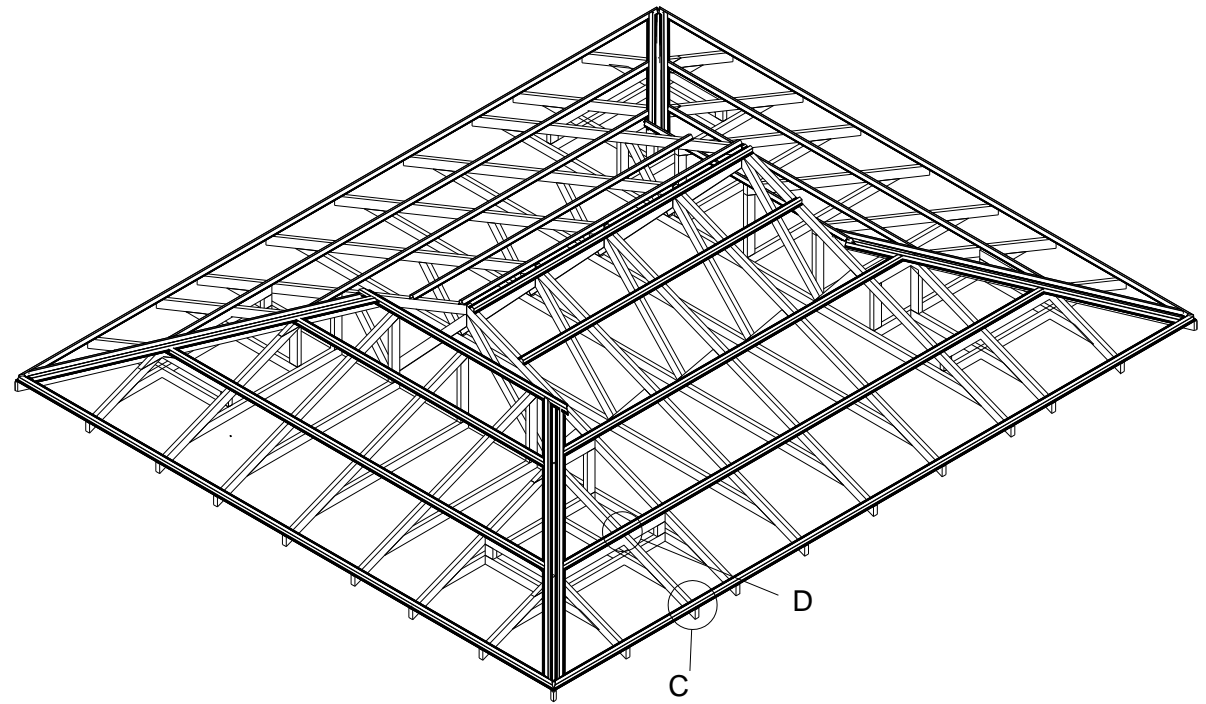






A

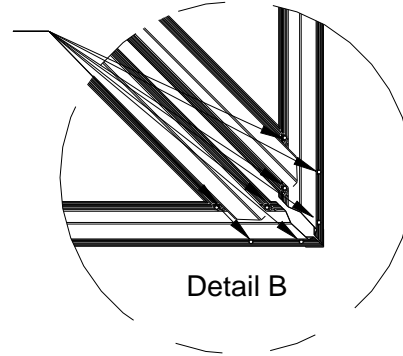
B



C

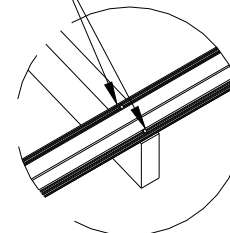
D

TEK SCREW
FASTENERS



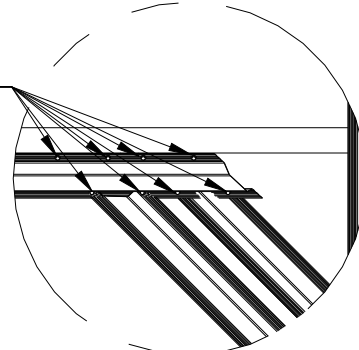
Detail B

TEK SCREW
FASTENERS



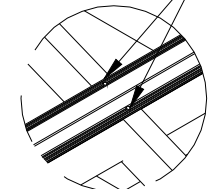
Detail C

TEK SCREW
FASTENERS



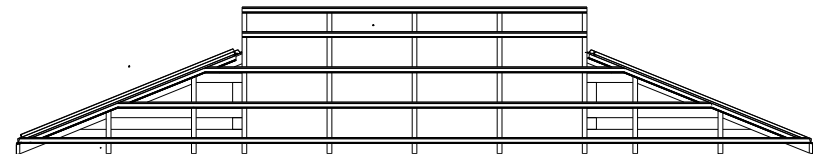
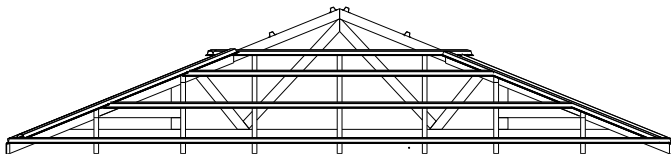
Detail A

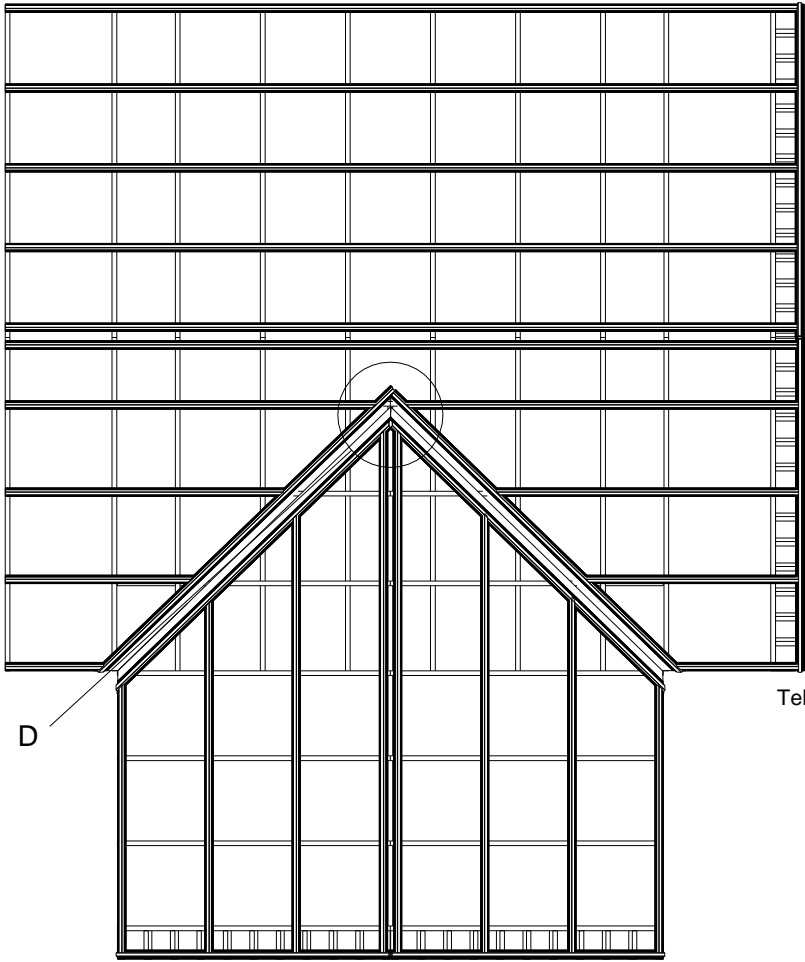
TEK SCREW
FASTENERS



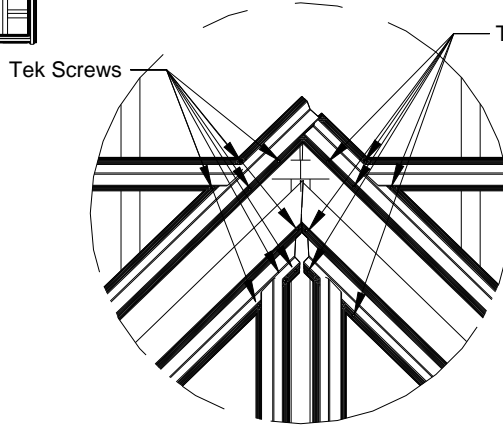
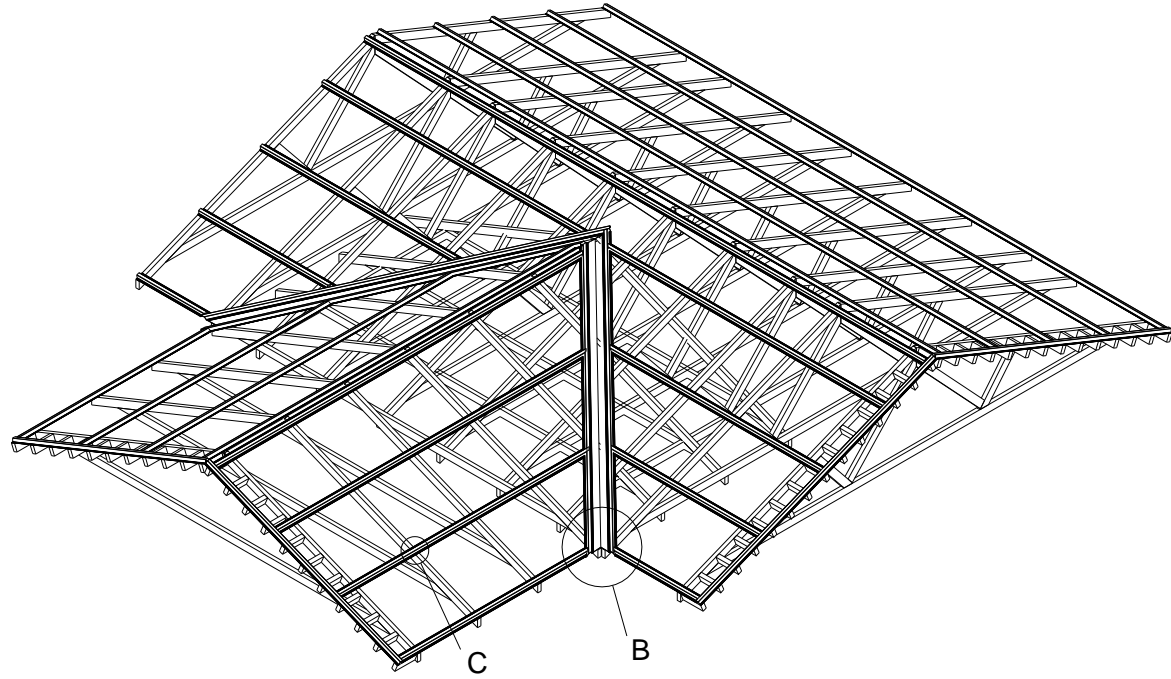
Detail D

TRUSSES ARE AT 900mm CENTRES
PURLINS AT 900mm CENTRES MAXIMUM

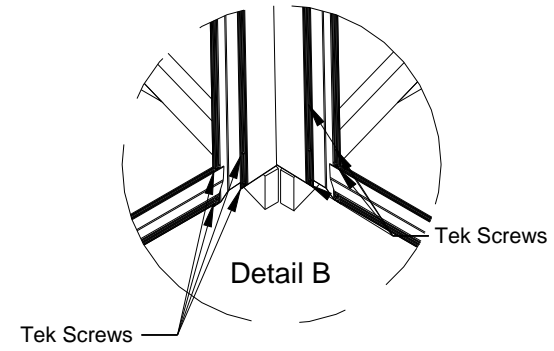




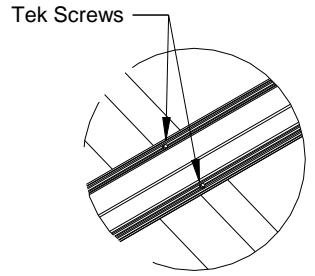
TRUSSES ARE AT 900mm CENTRES
 PURLINS AT 900mm CENTRES MAXIMUM



Detail D



Detail B



Detail C

